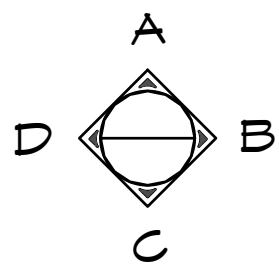


**1 FLOOR PLAN**  
 SCALE: 3/16" = 1'-0"



THESE PLAN VIEW AND ELEVATION DRAWINGS ARE A PRELIMINARY ARCHITECTURAL REPRESENTATION OF THE BUILDING. ALL DIMENSIONS, FEATURES AND COMPONENTS SHOWN ON THESE PRELIMINARY DRAWINGS MAY OR MAY NOT BE PART OF THE QUOTE. PLEASE REFER TO THE "SCOPE OF SUPPLY AND SERVICES" LETTER PROVIDED WITH YOUR QUOTE FOR ROMTEC'S PROPOSED SCOPE OF SUPPLY.

**ROMTEC**  
 18240 NORTH BANK ROAD - ROSEBURG, OR 97470  
 (541) 496-3541 FAX (541) 496-0803  
**PRELIMINARY**

© 2023 ROMTEC, INC. ALL RIGHTS RESERVED. THESE PLANS AND DRAWINGS MAY NOT BE REPRODUCED, ADAPTED OR FURTHER DISTRIBUTED, AND NO BUILDINGS MAY BE CONSTRUCTED FROM THESE PLANS, WITHOUT THE WRITTEN PERMISSION OF ROMTEC, INC.

PROJECT: CUSTOMER PROJECT LOCATION  
 SHEET TITLE: FLOOR PLAN

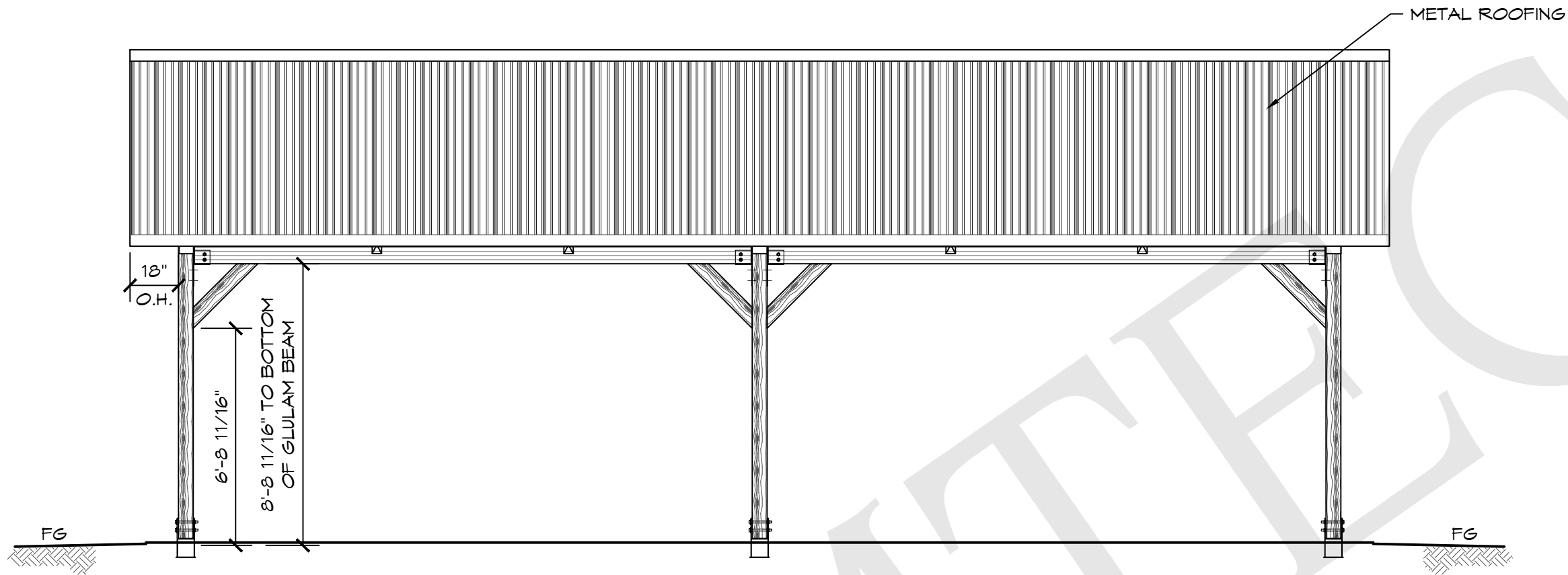
PROJECT#: XXXX

DATE: 00/00/11

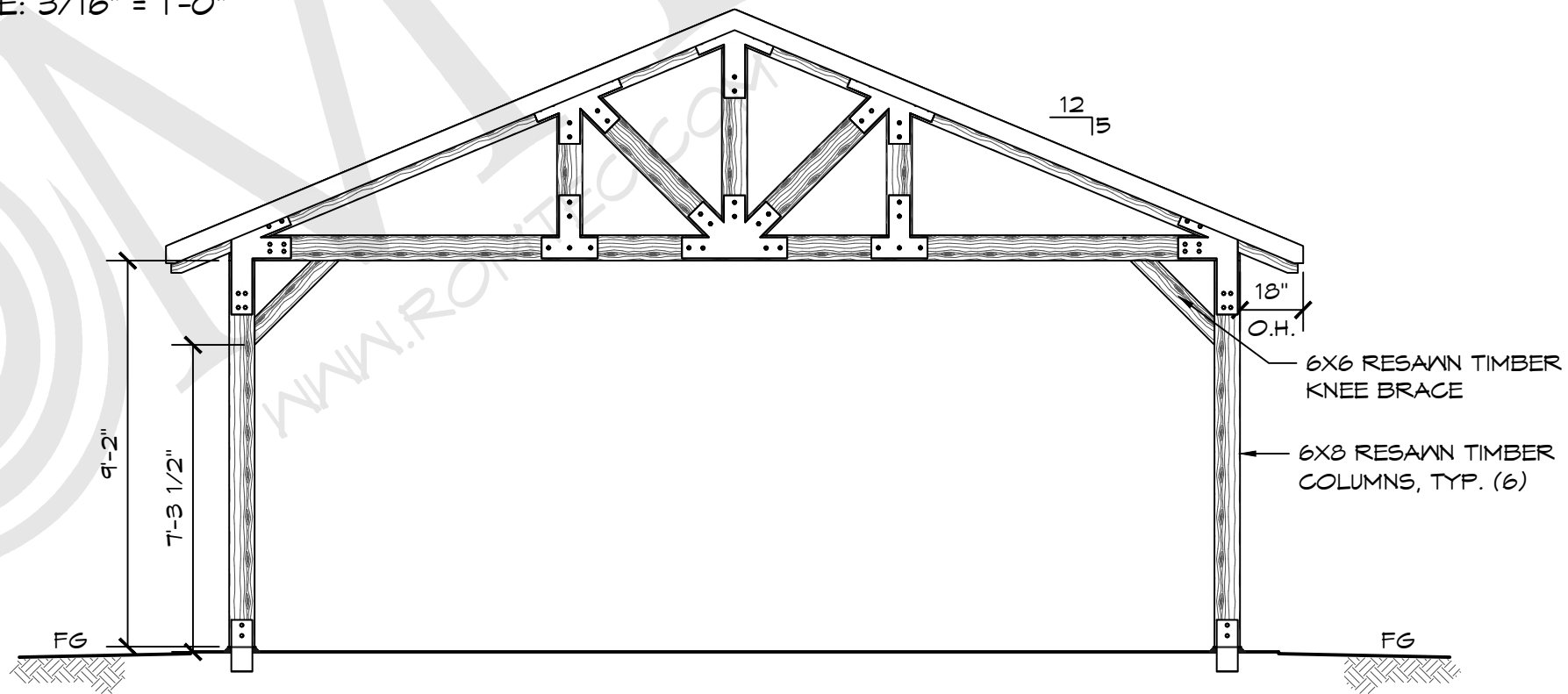
REV.	DATE	BY

DRAWN BY: JS

SHEET NO. **01**



**A** ELEVATION VIEW  
SCALE: 3/16" = 1'-0"



**B** ELEVATION VIEW  
SCALE: 3/16" = 1'-0"

THESE PLAN VIEW AND ELEVATION DRAWINGS ARE A PRELIMINARY ARCHITECTURAL REPRESENTATION OF THE BUILDING. ALL DIMENSIONS, FEATURES AND COMPONENTS SHOWN ON THESE PRELIMINARY DRAWINGS MAY OR MAY NOT BE PART OF THE QUOTE. PLEASE REFER TO THE "SCOPE OF SUPPLY AND SERVICES" LETTER PROVIDED WITH YOUR QUOTE FOR ROMTEC'S PROPOSED SCOPE OF SUPPLY.

**ROMTEC**

18240 NORTH BANK ROAD - ROSEBURG, OR 97470  
(541) 496-3541 FAX (541) 496-0803

**PRELIMINARY**

© 2023 ROMTEC, INC. ALL RIGHTS RESERVED. THESE PLANS AND DRAWINGS MAY NOT BE REPRODUCED, ADAPTED OR FURTHER DISTRIBUTED, AND NO BUILDINGS MAY BE CONSTRUCTED FROM THESE PLANS, WITHOUT THE WRITTEN PERMISSION OF ROMTEC, INC.

PROJECT: CUSTOMER PROJECT LOCATION  
PROJECT#: XXXX  
DATE: 00/00/11  
REVISIONS  
REV. DATE BY  
DRAWN BY: JS

SHEET TITLE: ELEVATION VIEW

SHEET NO.

02