
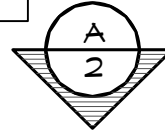


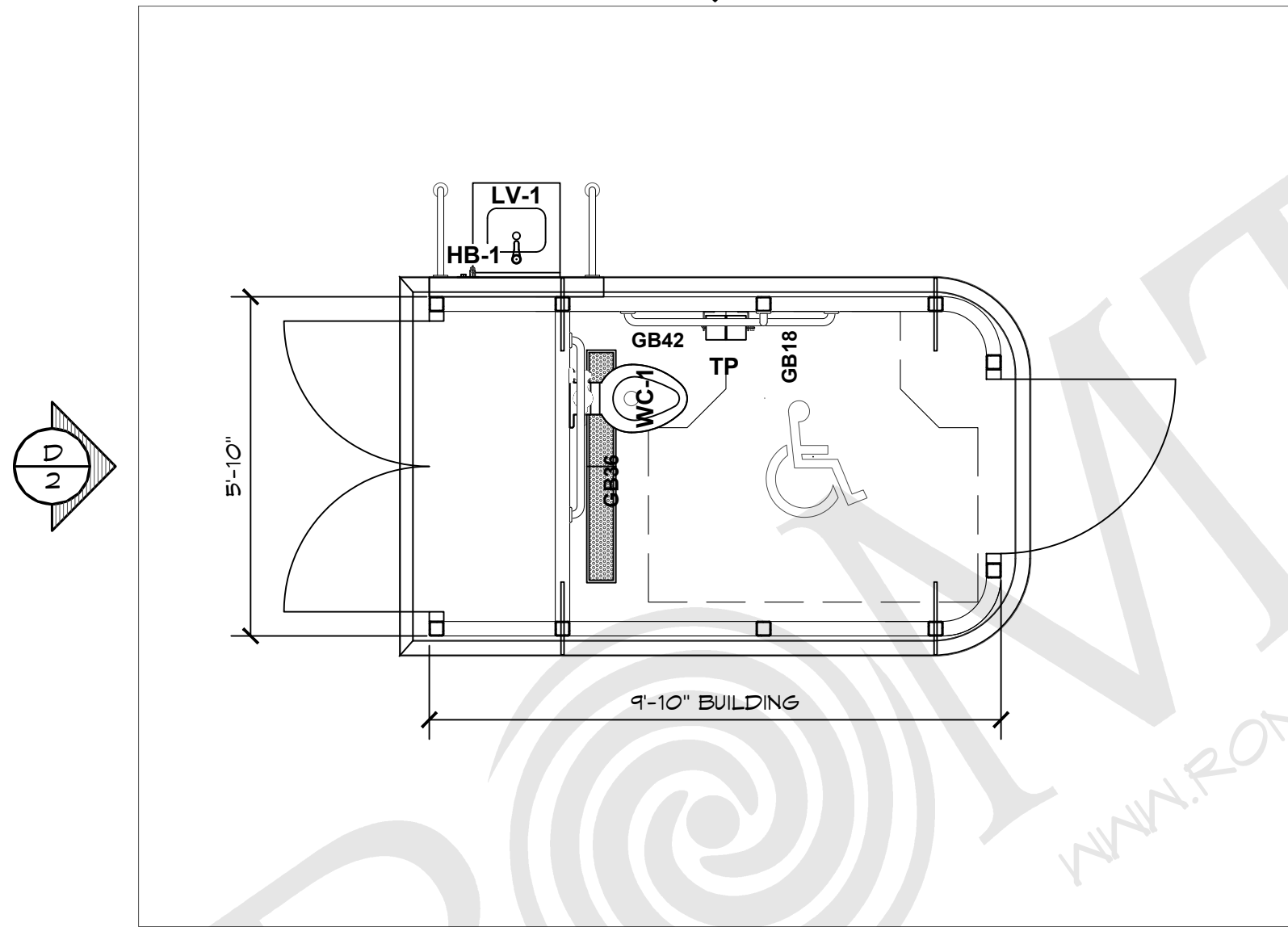
LEGEND		
SYMBOL	DESCRIPTION	AREA/ QUANTITY
	INTERIOR CEILING LIGHTS	2
	EXERIOR WALL LIGHTS	2
	TWO ROLL TP DISPENSER	1

 TRENCH DRAIN 1



THESE PLAN VIEW AND ELEVATION DRAWINGS ARE A PRELIMINARY ARCHITECTURAL REPRESENTATION OF THE BUILDING. ALL DIMENSIONS, FEATURES AND COMPONENTS SHOWN ON THESE PRELIMINARY DRAWINGS MAY OR MAY NOT BE PART OF THE QUOTE. PLEASE REFER TO THE "SCOPE OF SUPPLY AND SERVICES" LETTER PROVIDED WITH YOUR QUOTE FOR ROMTEC'S PROPOSED SCOPE OF SUPPLY.

ROMTEC
 18240 NORTH BANK ROAD - ROSEBURG, OR 97470
 (541) 496-3541 FAX (541) 496-0803
PRELIMINARY



CONCRETE WALK
(BY INSTALLER)



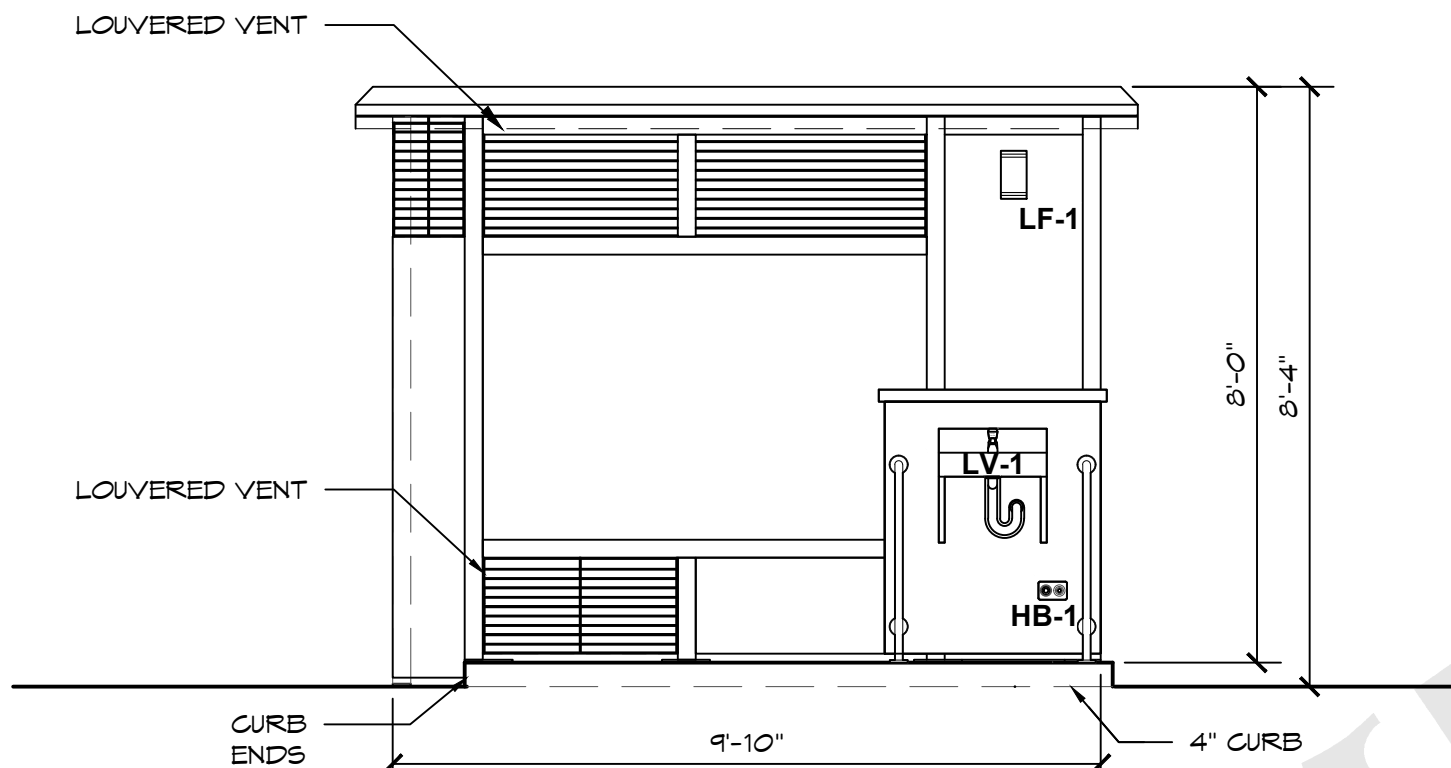
1 FLOOR PLAN
 SCALE: 3/8" = 1'-0"

2 ISOMETRIC RENDER
 SCALE: NTS

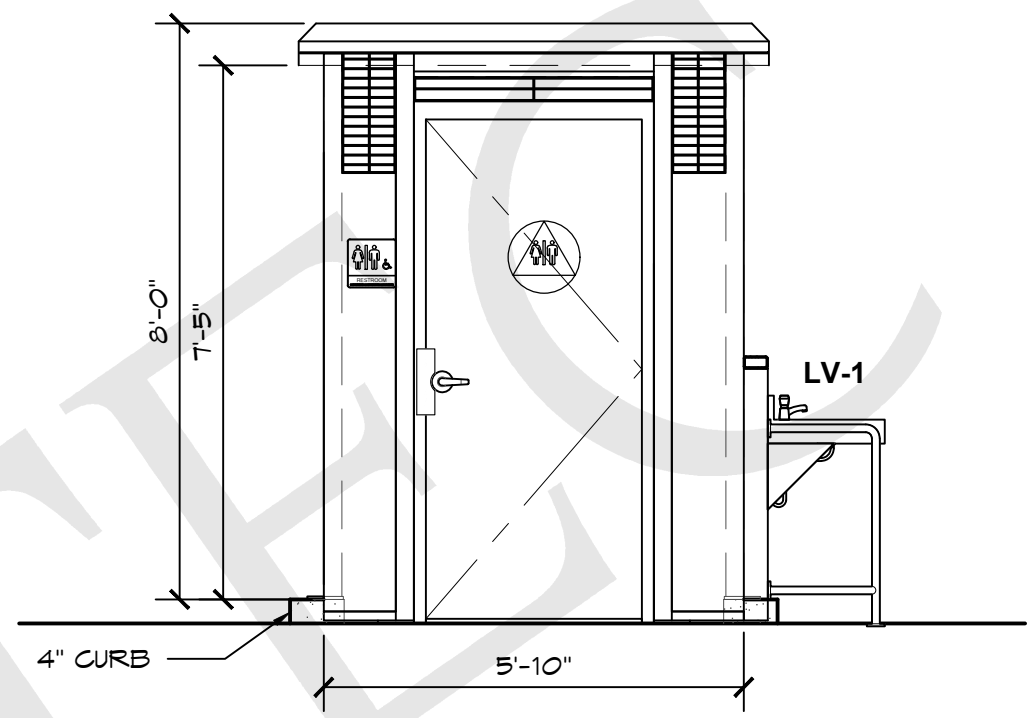
© 2023 ROMTEC, INC. ALL RIGHTS RESERVED. THESE PLANS AND DRAWINGS MAY NOT BE REPRODUCED, ADAPTED OR FURTHER DISTRIBUTED, AND NO BUILDINGS MAY BE CONSTRUCTED FROM THESE PLANS, WITHOUT THE WRITTEN PERMISSION OF ROMTEC, INC.

PROJECT:	CUSTOMER PROJECT LOCATION
PROJECT#:	XXXX
DATE:	00/00/11
REVISIONS	
REV.	DATE:
BY:	
DRAWN BY:	JS
SHEET NO.:	01

SHEET TITLE: FLOOR PLAN

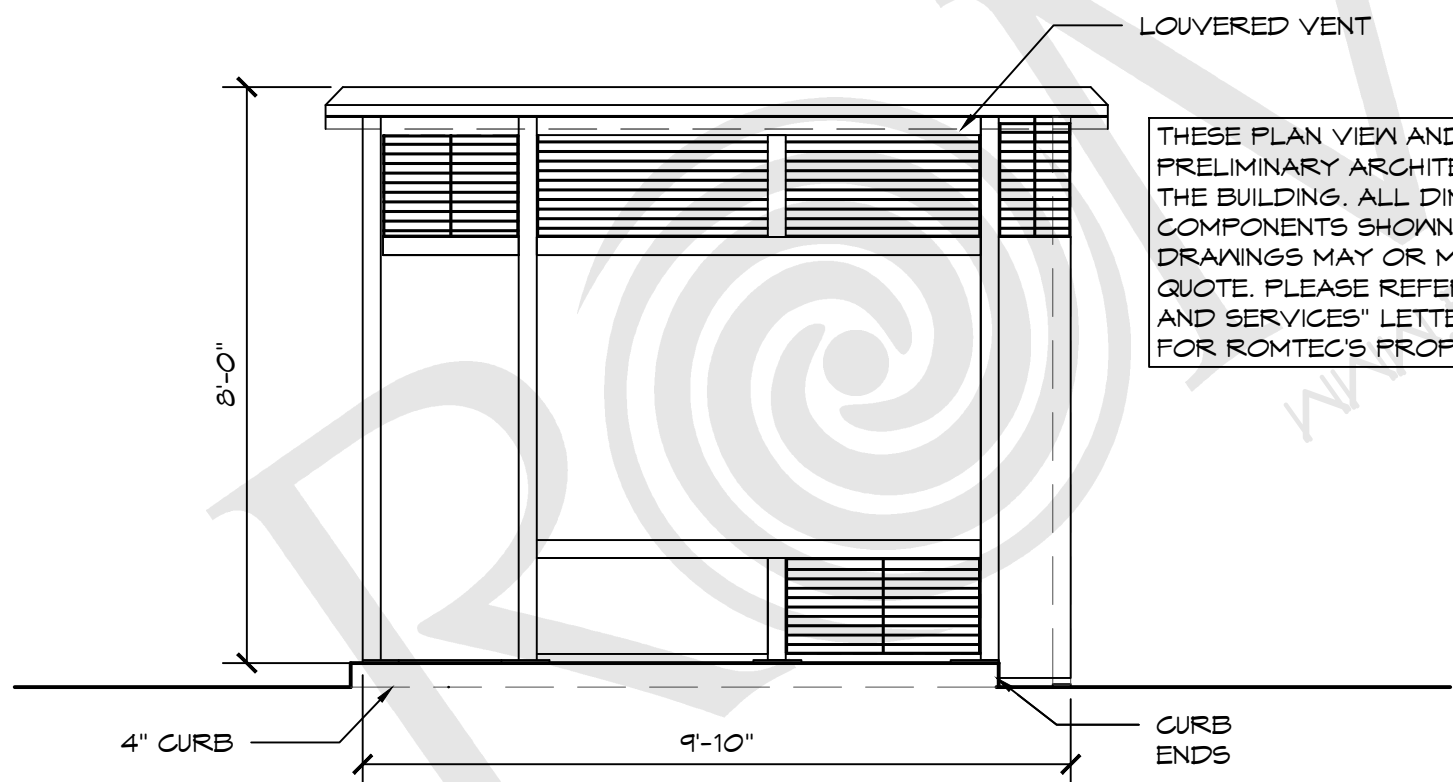


A ELEVATION VIEW
SCALE: 3/8" = 1'-0"

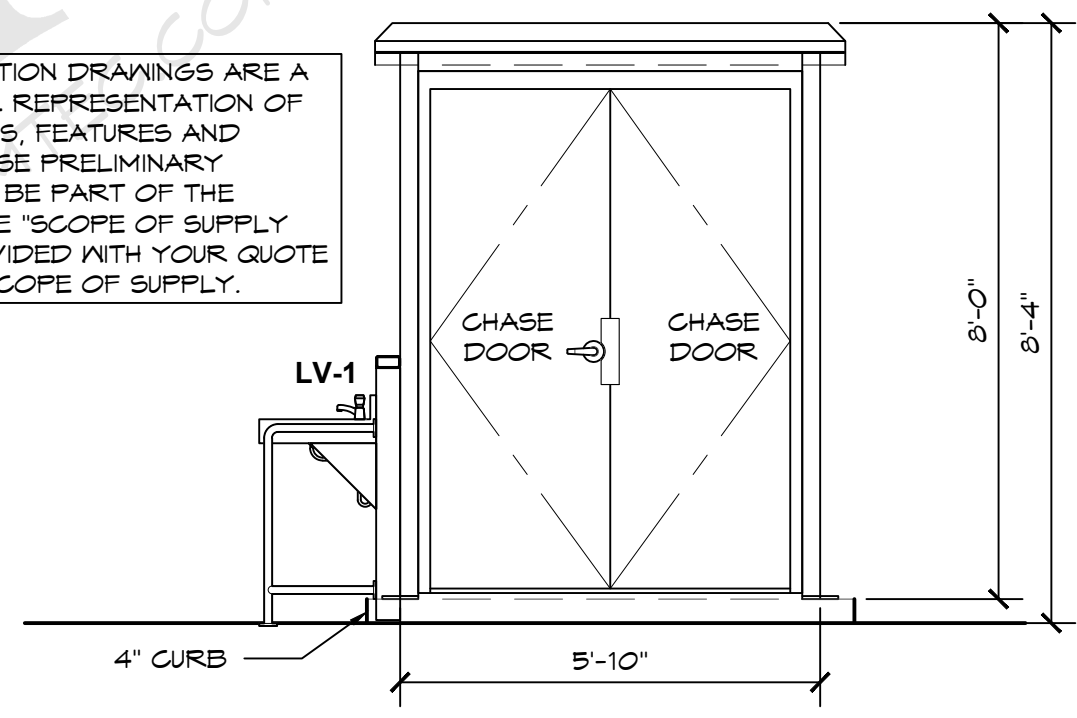


B ELEVATION VIEW
SCALE: 3/8" = 1'-0"

THESE PLAN VIEW AND ELEVATION DRAWINGS ARE A PRELIMINARY ARCHITECTURAL REPRESENTATION OF THE BUILDING. ALL DIMENSIONS, FEATURES AND COMPONENTS SHOWN ON THESE PRELIMINARY DRAWINGS MAY OR MAY NOT BE PART OF THE QUOTE. PLEASE REFER TO THE "SCOPE OF SUPPLY AND SERVICES" LETTER PROVIDED WITH YOUR QUOTE FOR ROMTEC'S PROPOSED SCOPE OF SUPPLY.



C ELEVATION VIEW
SCALE: 3/8" = 1'-0"



D ELEVATION VIEW
SCALE: 3/8" = 1'-0"

© 2023 ROMTEC, INC. ALL RIGHTS RESERVED. THESE PLANS AND DRAWINGS MAY NOT BE REPRODUCED, ADAPTED OR FURTHER DISTRIBUTED, AND NO BUILDINGS MAY BE CONSTRUCTED FROM THESE PLANS, WITHOUT THE WRITTEN PERMISSION OF ROMTEC, INC.

PROJECT:	CUSTOMER
PROJECT#:	XXXX
DATE:	00/00/11
REVISIONS	
REV.	DATE:
BY:	
DRAWN BY:	JS

SHEET TITLE: ELEVATION VIEW