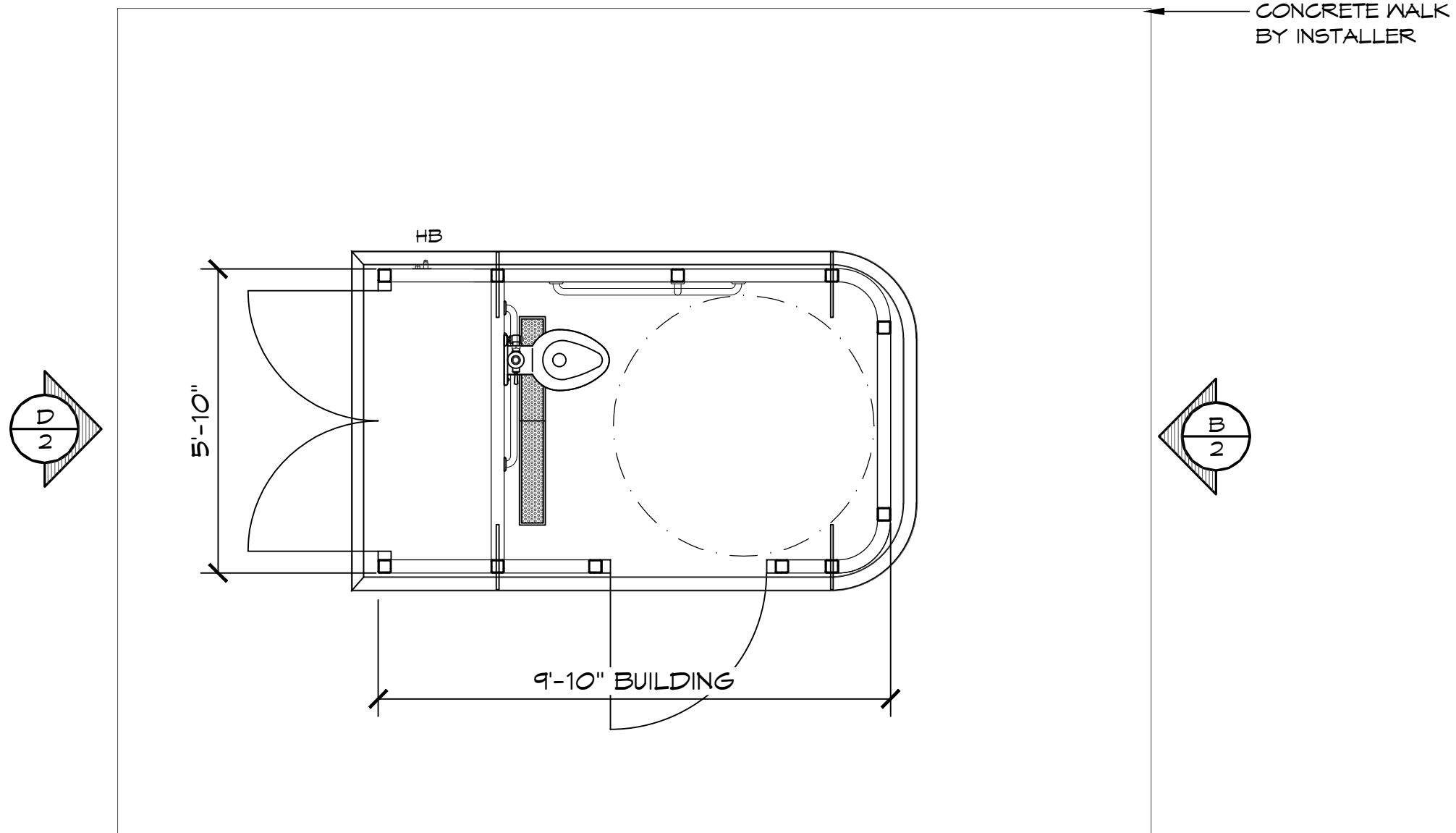


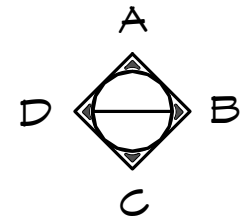
LEGEND		
SYMBOL	DESCRIPTION	AREA/ QUANTITY
	INTERIOR CEILING LIGHTS	2
	TROUGH DRAIN	1
▽ ^{HB}	WALL HYDRANT	1
□ _{TP}	TWO ROLL TP DISPENSER	1

 TRENCH DRAIN, TYP 1

THESE PLAN VIEW AND ELEVATION DRAWINGS ARE A PRELIMINARY ARCHITECTURAL REPRESENTATION OF THE BUILDING. ALL DIMENSIONS, FEATURES AND COMPONENTS SHOWN ON THESE PRELIMINARY DRAWINGS MAY OR MAY NOT BE PART OF THE QUOTE. PLEASE REFER TO THE "SCOPE OF SUPPLY AND SERVICES" LETTER PROVIDED WITH YOUR QUOTE FOR ROMTEC'S PROPOSED SCOPE OF SUPPLY.



1 FLOOR PLAN
SCALE: 3/8" = 1'-0"



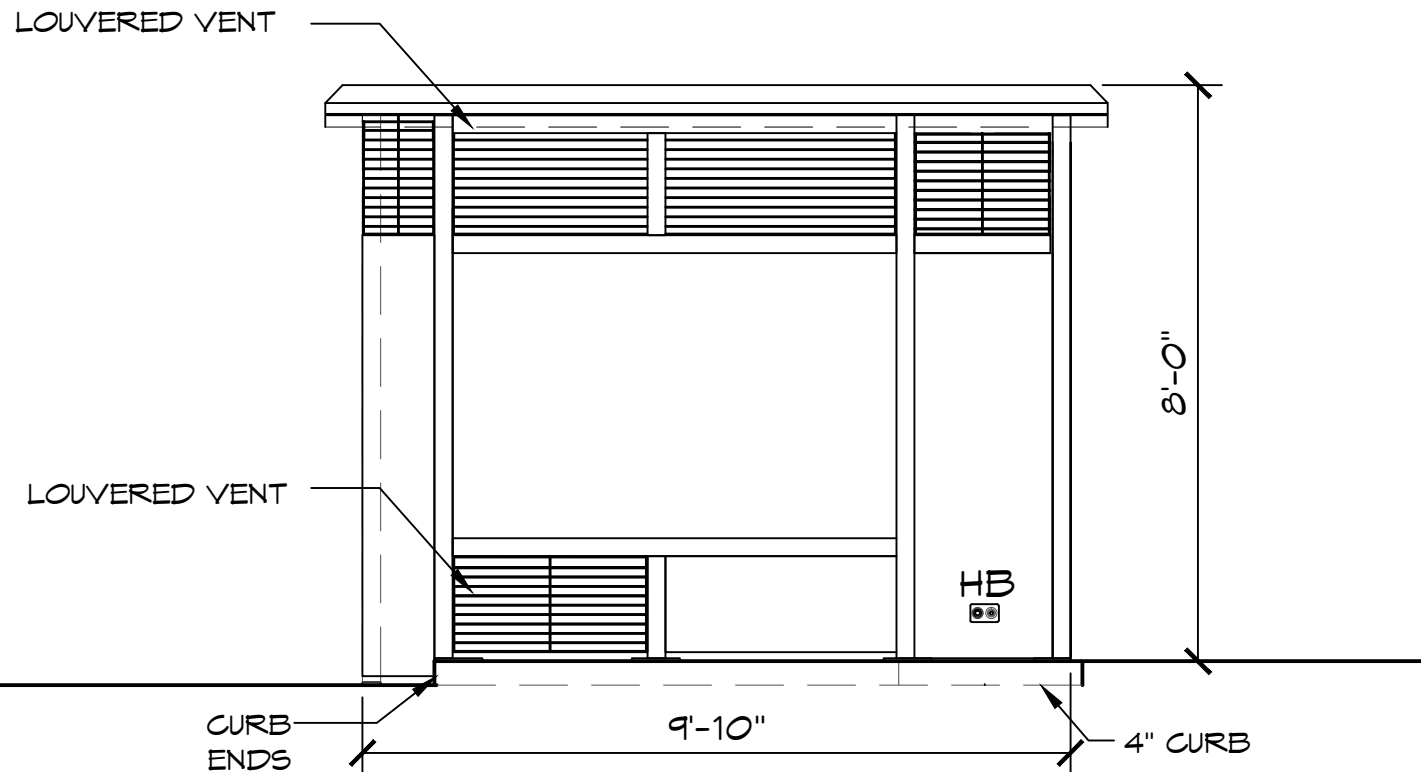
© 2018 ROMTEC, INC. ALL RIGHTS RESERVED. THESE PLANS AND DRAWINGS MAY NOT BE REPRODUCED, ADAPTED OR FURTHER DISTRIBUTED, AND NO BUILDINGS MAY BE CONSTRUCTED FROM THESE PLANS, WITHOUT THE WRITTEN PERMISSION OF ROMTEC, INC.

PROJECT: 4002 SIDEWALK SINGLE RESTROOM-CURVED-SIDE ENTRY		
CUSTOMER PROJECT LOCATION	PROJECT#:	XXXX
	MODEL#:	4002
	DATE:	09/13/2016
	REVISIONS	
REV.	DATE:	BY
DRAWN BY:	TH	

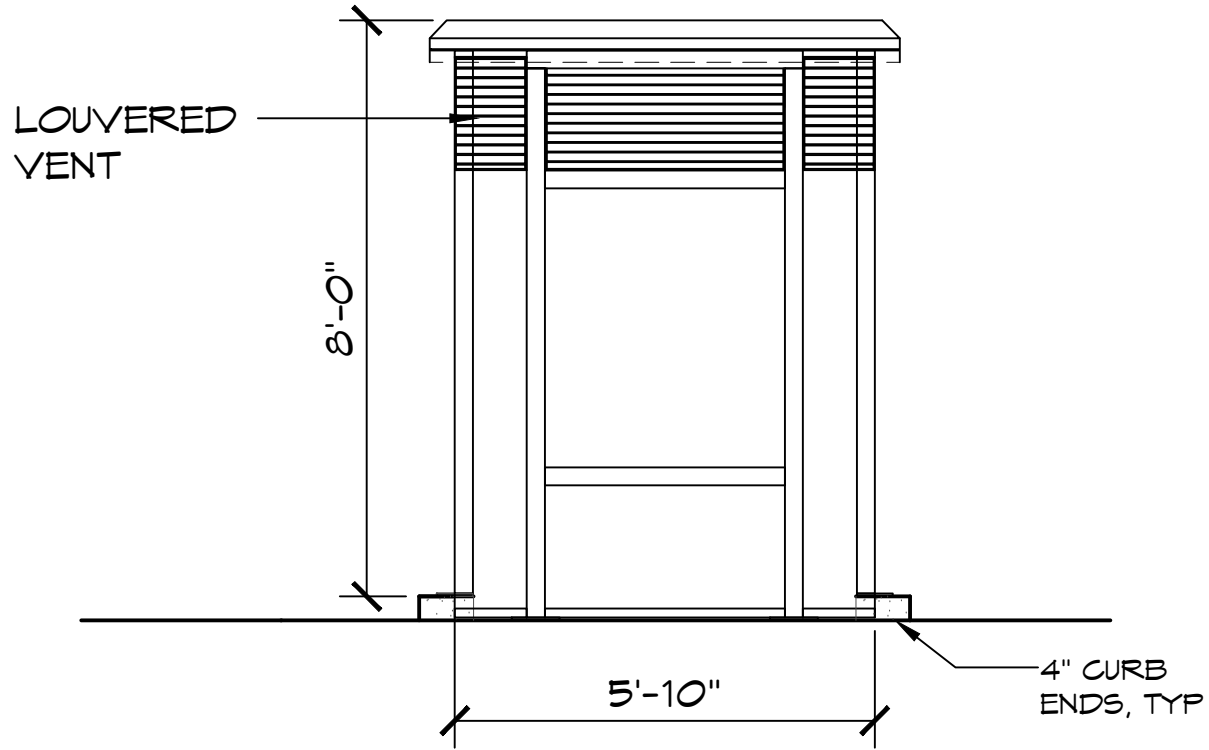
SHEET NO. 1

ROMTEC
18240 NORTH BANK ROAD - ROSEBURG, OR 97470
(541) 496-3541 FAX (541) 496-0803

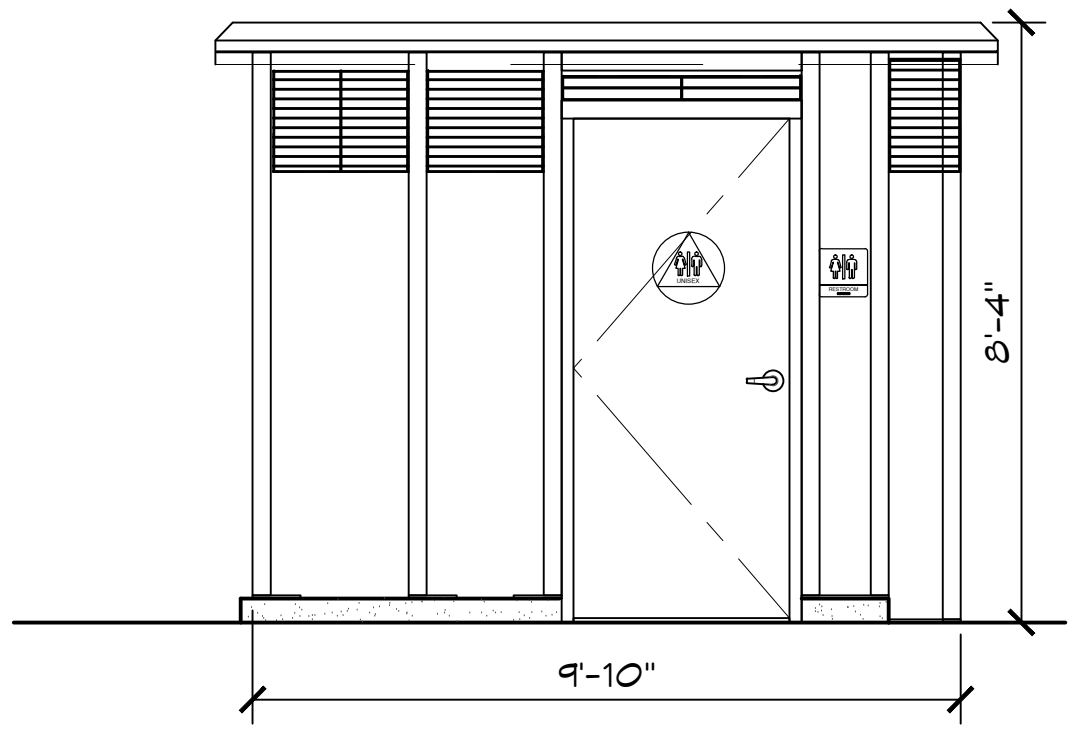
PRELIMINARY



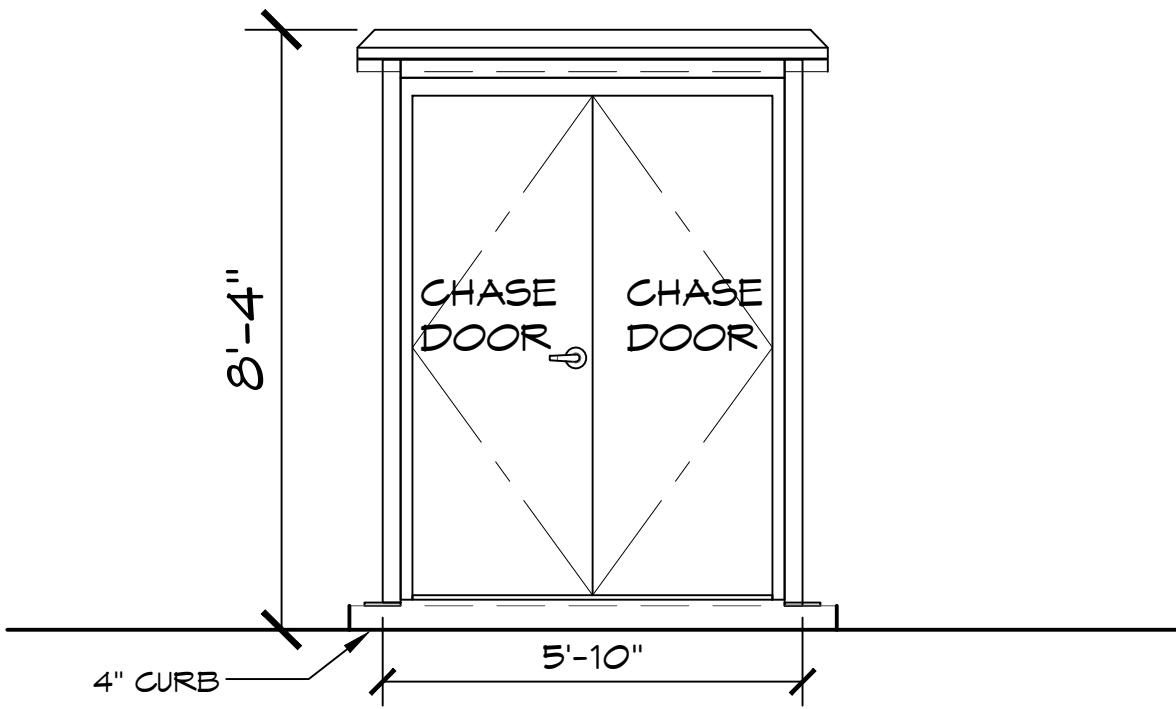
A ELEVATION VIEW
SCALE: 1/4" = 1'-0"



B ELEVATION VIEW
SCALE: 3/8" = 1'-0"



C ELEVATION VIEW
SCALE: 1/4" = 1'-0"



D ELEVATION VIEW
SCALE: 1/4" = 1'-0"

© 2018 ROMTEC, INC. ALL RIGHTS RESERVED. THESE PLANS AND DRAWINGS MAY NOT BE REPRODUCED, ADAPTED OR FURTHER DISTRIBUTED, AND NO BUILDINGS MAY BE CONSTRUCTED FROM THESE PLANS, WITHOUT THE WRITTEN PERMISSION OF ROMTEC, INC.
PROJECT: 4002 SIDEWALK SINGLE RESTROOM-CURVED-SIDE ENTRY

CUSTOMER	PROJECT	LOCATION
PROJECT#:	XXXX	
MODEL#:	4002	
DATE:	09/13/2016	
REVISIONS		
REV.	DATE:	BY
DRAWN BY:	TH	
SHEET NO.		

SHEET TITLE: ELEVATIONS