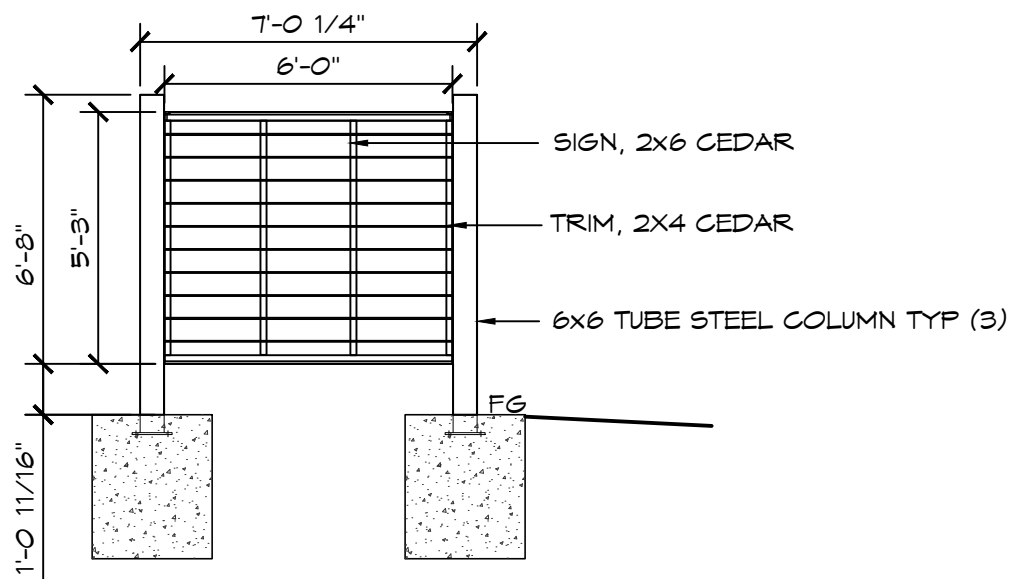
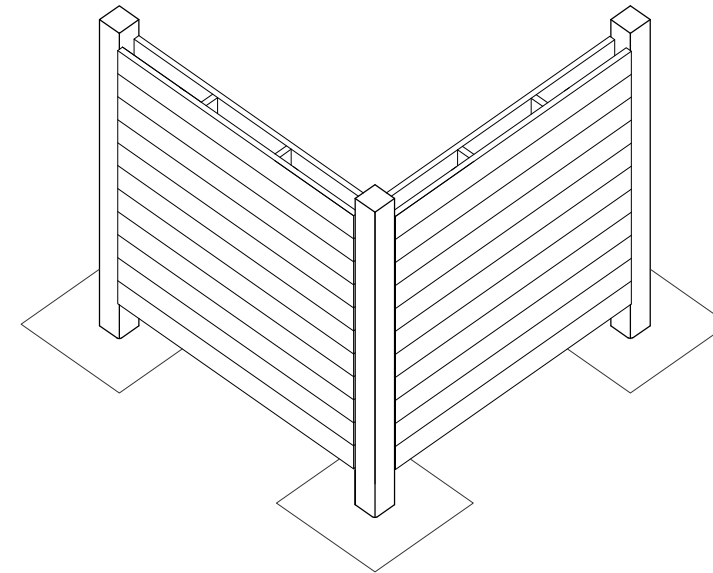
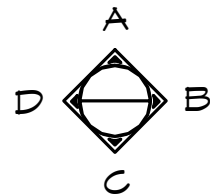
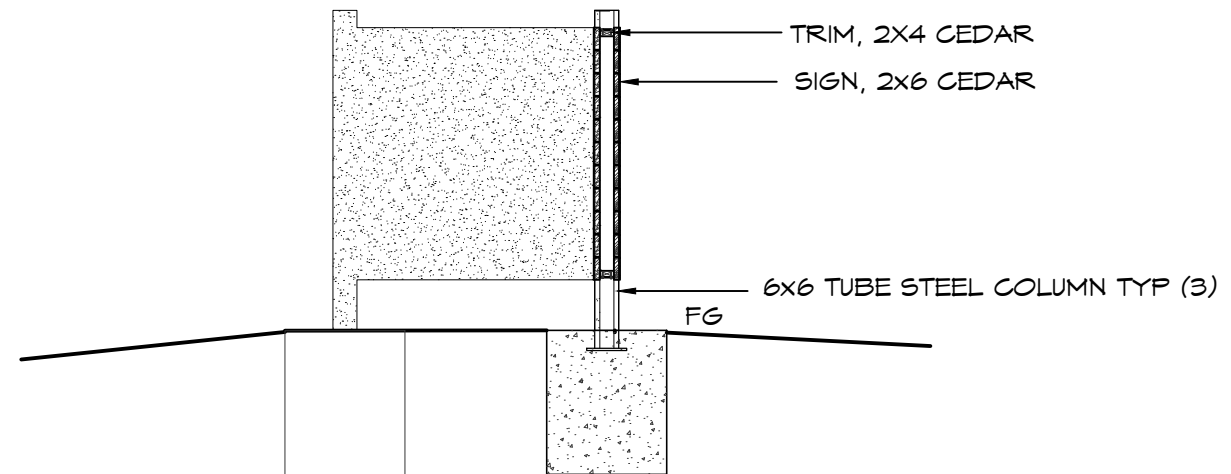


1 FLOOR PLAN
 SCALE: 1/4" = 1'-0"



C ELEVATION VIEW
 SCALE: 1/4" = 1'-0"



D ELEVATION VIEW
 SCALE: 1/4" = 1'-0"