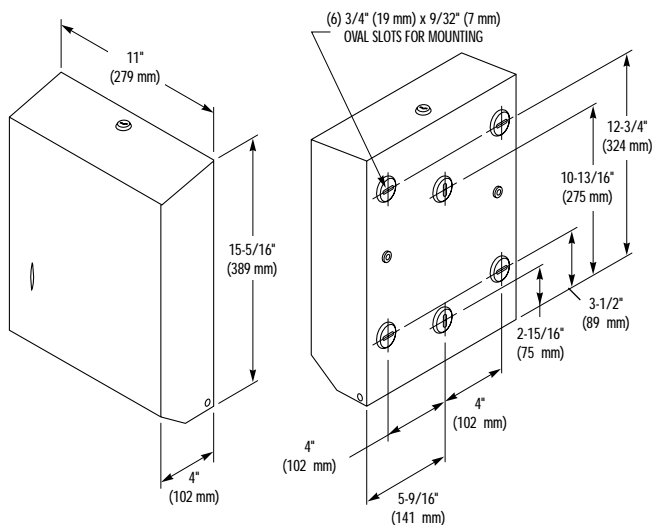



TOWEL DISPENSER

- Surface Mounted
- C-Fold/Multi-Fold Towels
- Tumbler Lock

BradEx™



MODEL 250-15

 When installed as specified below, unit meets Barrier-Free requirements

CONSTRUCTION:

- **UNIT** fabricated of type heavy duty, 22 gauge stainless steel with exposed surfaces in architectural satin finish. Smooth corners, free of burrs and sharp edges. Tumbler lock keyed like other Bradley units. Cabinet hinged at bottom to allow easy filling. Refill indicator slot on face of cabinet. Rolled edge on dispenser opening.

CAPACITY:

525 multi-fold or 400 C-fold paper towels.

OPERATION:

Unit holds multi-fold or C-fold towels without use of special adaptor.

INSTALLATION:

Secure to wall with mounting screws (included) at holes provided.

GUIDE SPECIFICATION:

Surface mounted towel dispenser shall be fabricated of type heavy duty, 22 gauge stainless steel with exposed surfaces in satin finish. Refill indicator on face of cabinet. Tumbler lock to secure hinged front panel. Towel dispenser capacity 525 multi-fold or 400 C-fold towels.

Overall dimensions: 11" W x 15-5/16" H x 4" D.

Surface Mounted Towel Dispenser shall be Bradley Model 250-15.

Orders composed of products indicated as *BradEx™* will be available to ship in one week after receipt of order at the factory. There is no pricing penalty for this service from Bradley.

Document No. 8200

This information is subject to change without formal notice.
© 2003 Bradley Corporation
8-6-2003

Bradley 

P.O. Box 309, Menomonee Falls, WI 53052-0309
Phone 1-800-BRADLEY FAX 262-253-4161
Web Site: <http://www.bradleycorp.com>
Technical Information Fax Service: 1-800-BRADFAX