

Model 583 — Surface-Mounted *Bradex*®

500 Capacity

Product Materials

COVER: 22 gauge stainless steel with exposed surfaces in architectural satin finish. Welded construction with burr-free edges, full length piano hinge and tumbler lock keyed like other Bradley units.

BACK: stainless steel.

Capacity

500 standard single-fold or half-fold toilet seat covers.

Operation

Cabinet bottom hinged for easy filling. Unit has spring clip dispensing mechanism.


Installation

Verify all rough-in dimensions prior to installation. Secure unit to wall or toilet partition with mounting screws (included) through mounting holes.

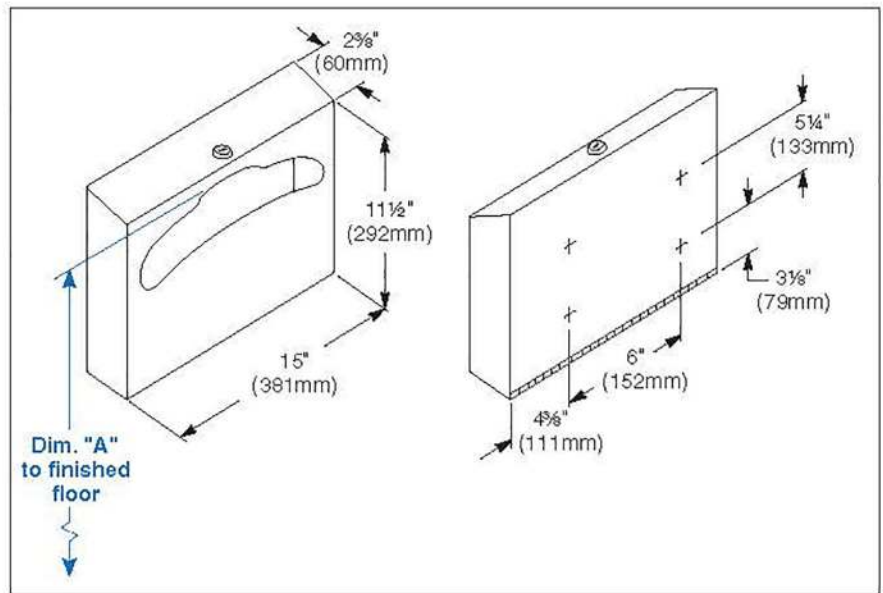
Guide Specification

Surface-mounted toilet seat cover dispenser shall be fabricated of 22-gauge stainless steel with exposed surfaces in satin finish with welded construction. Door with piano hinge and tumbler lock. Capacity 500 toilet seat covers.

Overall dimensions: 15"W x 11½"H x 2¾"D.

 **ADA Compliant**

- Consult local and national accessibility codes for proper installation guidelines.
- Conformity and compliance to local and national codes is the responsibility of the installer.



Dim. "A" Key Surface:	For Dim. "A"	Top of Unit	Bottom of Unit
Top of seat cover opening to finished floor	48" (1219mm)	50" (1270mm)	38 5/8" (981mm)
	45" (1143mm)	47" (1194mm)	35 5/8" (904mm)
	42" (1067mm)	44" (1118mm)	32 5/8" (828mm)
	40" (1016mm)	42" (1067mm)	30 5/8" (777mm)
Rough wall opening:			
Surface Mount:	No rough opening, see overall dimensions		

Washroom Accessories
Document No. 8560

Orders composed of products indicated as *Bradex*® will be available to ship in three days after receipt of order at the factory. There is no pricing penalty for this service from Bradley. This information is subject to change without notice.

1-20-2011

© 2011 Bradley Corporation
P.O. Box 309, Menomonee Falls, WI 53052-0309
Phone: 800.BRADLEY (800.272.3539) Fax: 262.253.4161
bradleycorp.com