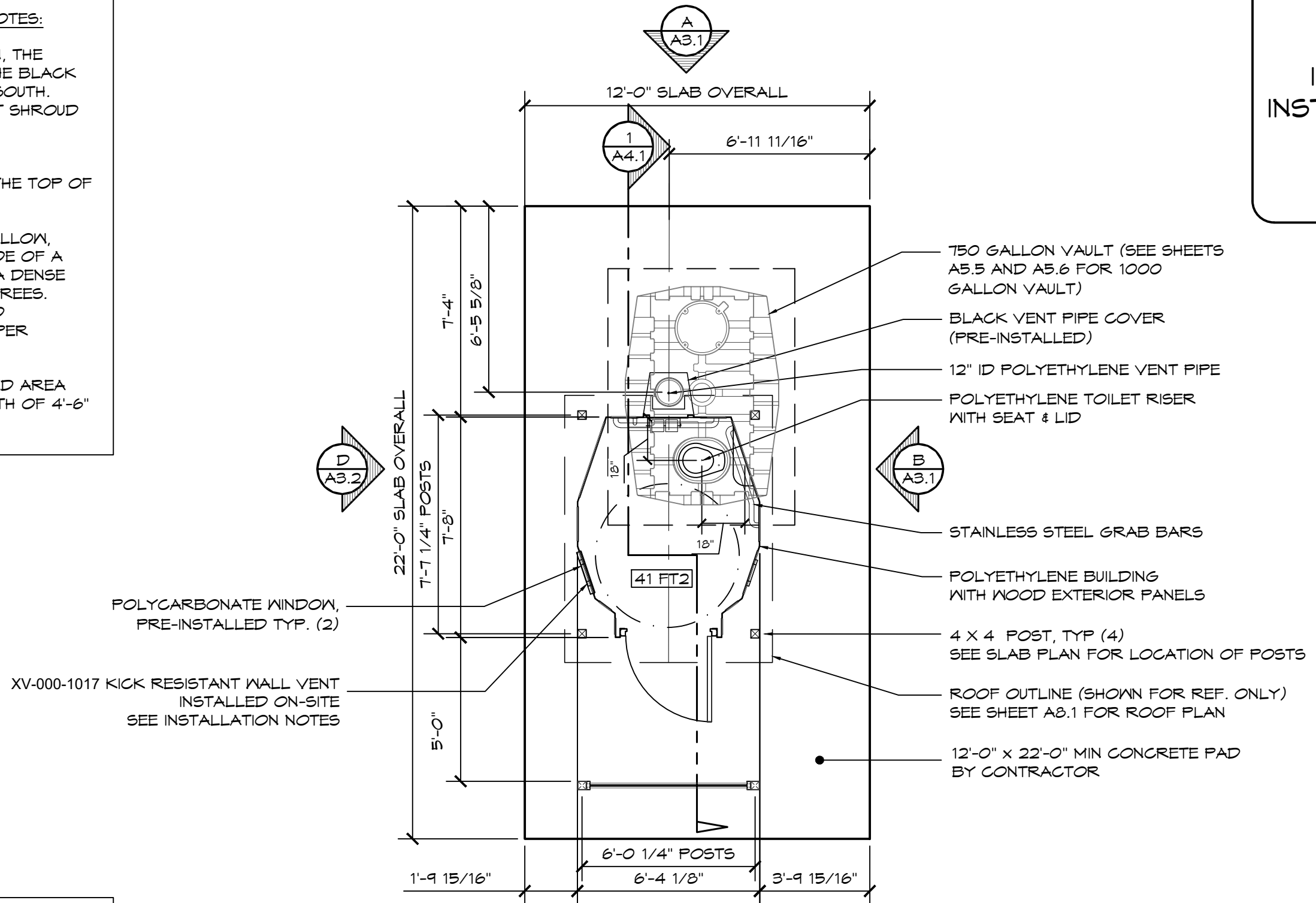


BUILDING LOCATION INSTALLATION NOTES:

1. TO PROVIDE PROPER VENTILATION, THE BUILDING IS TO BE ORIENTED WITH THE BLACK VENT SHROUD IN THE BACK FACING SOUTH. SOLAR HEAT INSIDE THE BLACK VENT SHROUD IMPROVES VENTILATION.
2. SELECT A SITE THAT PROVIDES AN UNOBSTRUCTED AIR FLOW ACROSS THE TOP OF THE 12" VENT PIPE.
3. DO NOT LOCATE BUILDING IN A HOLLOW, BENEATH AN OVER HANG, ON LEE SIDE OF A RIDGE, IMMEDIATELY ADJACENT TO A DENSE TREE LINE, OR IN DENSE BRUSH OR TREES. NOTE: BOTH BUILDING LOCATION AND ORIENTATION ARE CRITICAL TO PROPER VENTILATION OF BUILDING.
4. SITE SHOULD BE IN A WELL DRAINED AREA THAT CAN BE EXCAVATED TO A DEPTH OF 4'-6" AND GRADED LEVEL 12' x 22'

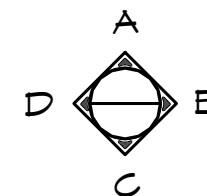
INSTALL INSTRUCTIONS



KICK VENT INSTALLATION NOTES:

1. LOCATE VENT UNDER WINDOW ON PREVAILING WIND SIDE OF BUILDING, DO NOT INSTALL THE VENT ON BACK OF BUILDING OR DOOR.
2. TO INSTALL WALL VENT CUT HOLE IN THE WALL THE SIZE OF THE VENT, THEN MOUNT THE VENT IN THE WALL WITH PROVIDED FASTENERS (6) 1/4"-20UNC x 1-1/4" BOLTS WITH SPRING NUT.
3. LOUVERS ARE TO BE POINTED DOWN.
4. DO NOT INSTALL ANY OTHER VENTS, THIS WILL DEFEAT THE SPECIFIED VENTILATION SYSTEM.

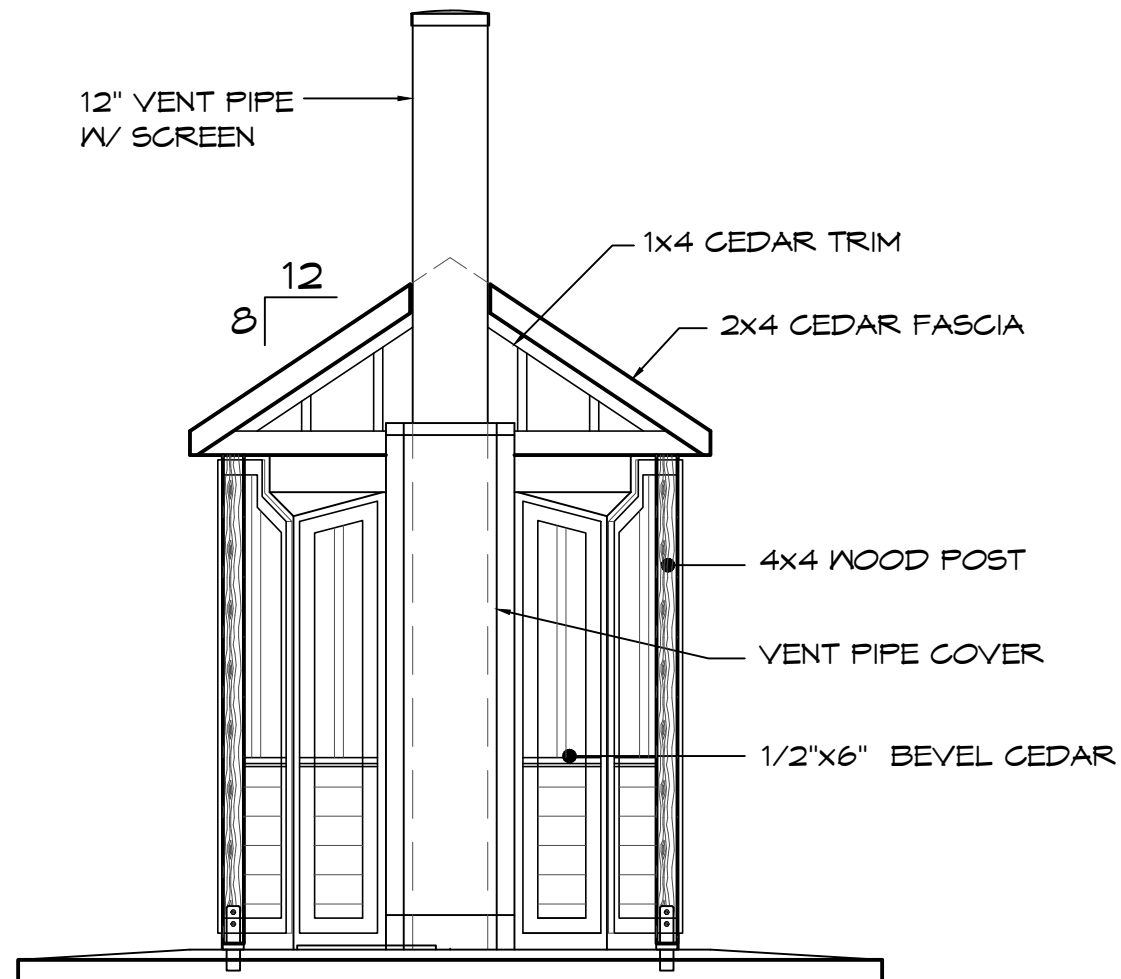
1 FLOOR PLAN
SCALE: 1/4" = 1'-0"



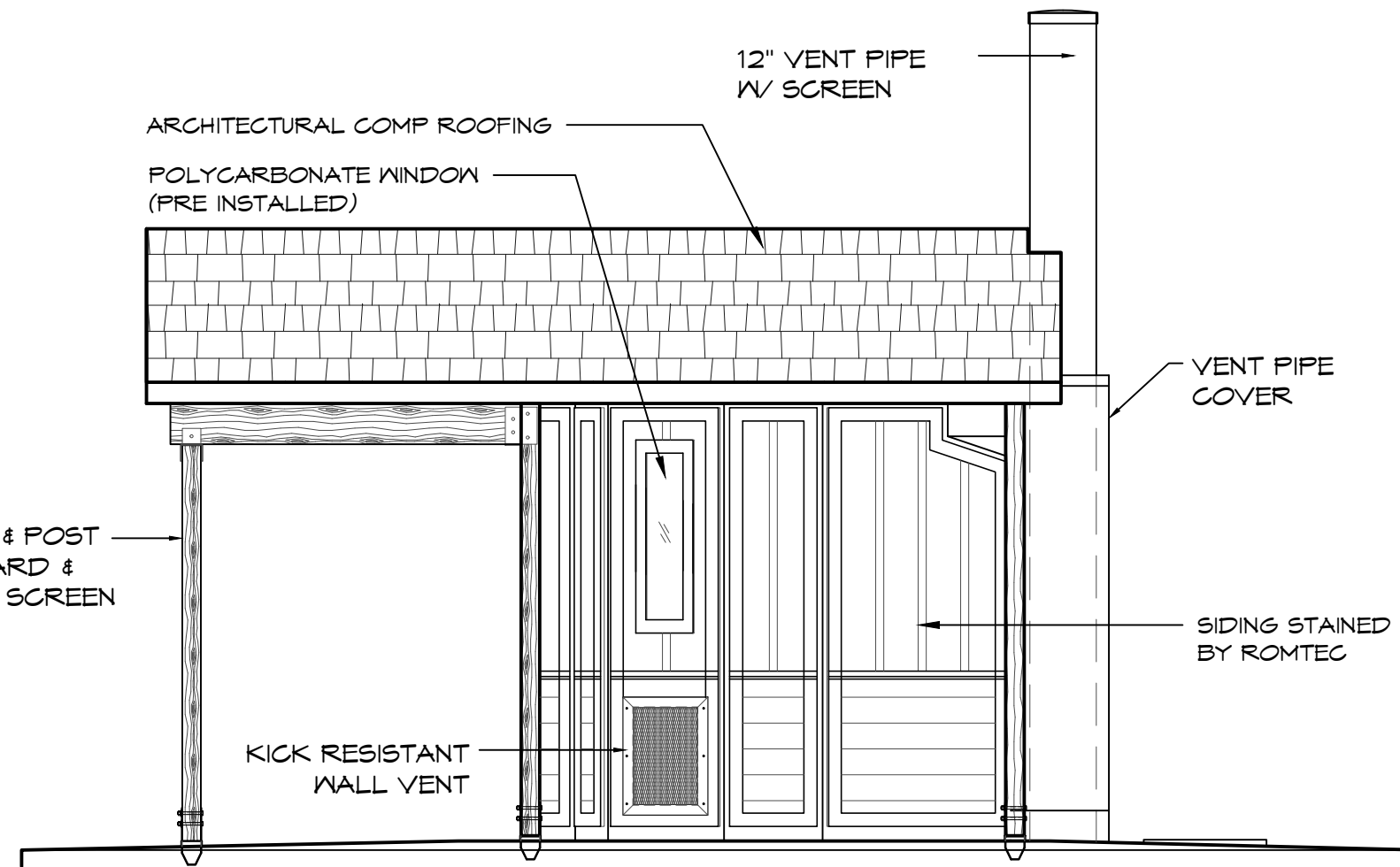
© 2022 ROMTEC, INC. ALL RIGHTS RESERVED. THESE PLANS AND DRAWINGS MAY NOT BE REPRODUCED, ADAPTED OR FURTHER DISTRIBUTED, AND NO BUILDINGS MAY BE CONSTRUCTED FROM THESE PLANS, WITHOUT THE WRITTEN PERMISSION OF ROMTEC, INC.

PROJECT: XXXX		18240 NORTH BANK ROAD ROSEBURG, OR 97470 (541) 496-3541 FAX (541) 496-8883	
DATE: XX/XX/XXXX			
REVISIONS			
REV.	DATE:	BY:	SHEET TITLE: FLOOR PLAN
DRAWN BY: XX		SHEET NO. A2.1	

INSTALL INSTRUCTIONS



A ELEVATION VIEW
SCALE: 3/8" = 1'-0"



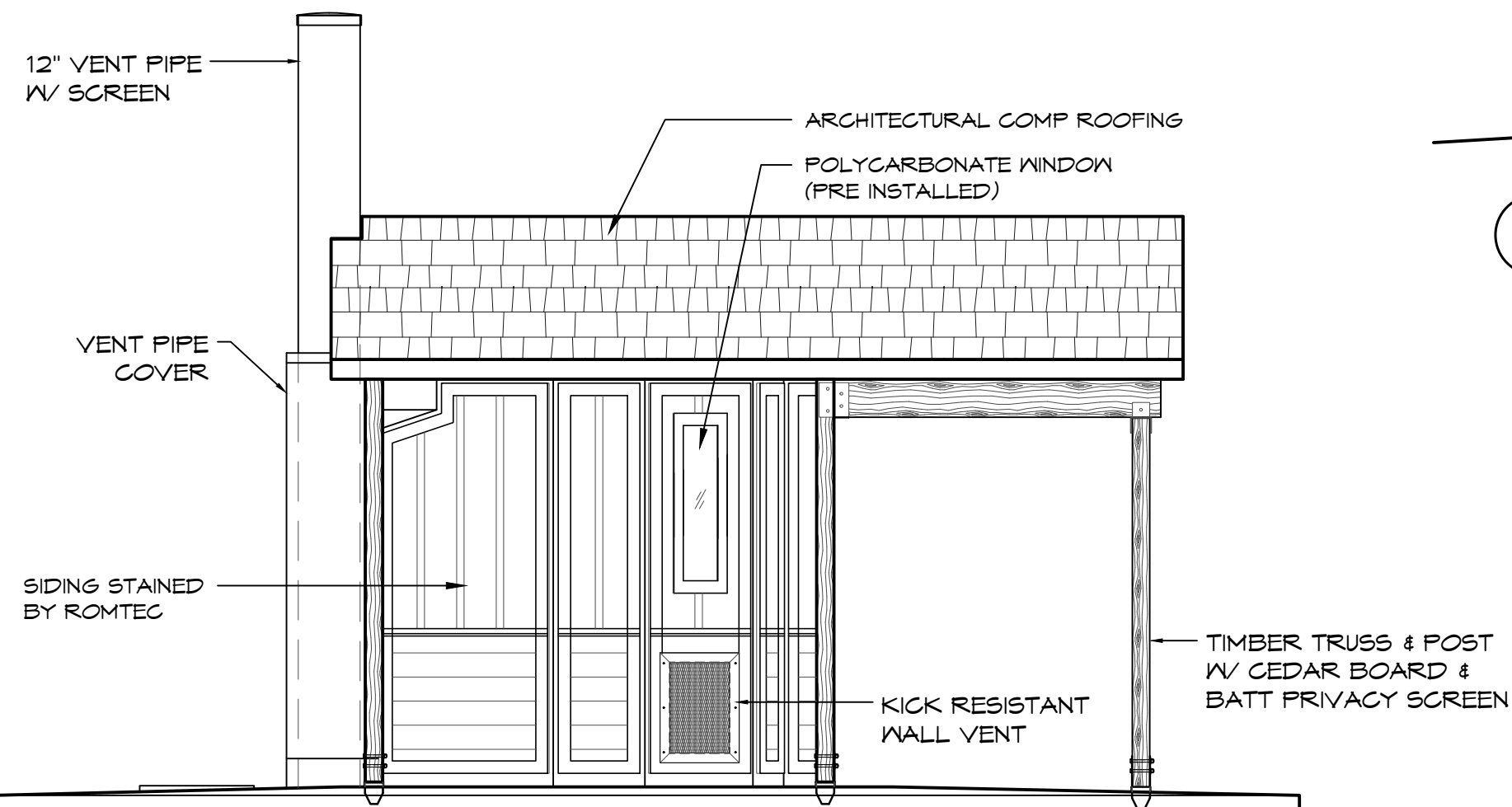
B ELEVATION VIEW
SCALE: 3/8" = 1'-0"

© 2022 ROMTEC, INC. ALL RIGHTS RESERVED. THESE PLANS AND DRAWINGS MAY NOT BE REPRODUCED, ADAPTED OR FURTHER DISTRIBUTED, AND NO BUILDINGS MAY BE CONSTRUCTED FROM THESE PLANS, WITHOUT THE WRITTEN PERMISSION OF ROMTEC, INC.

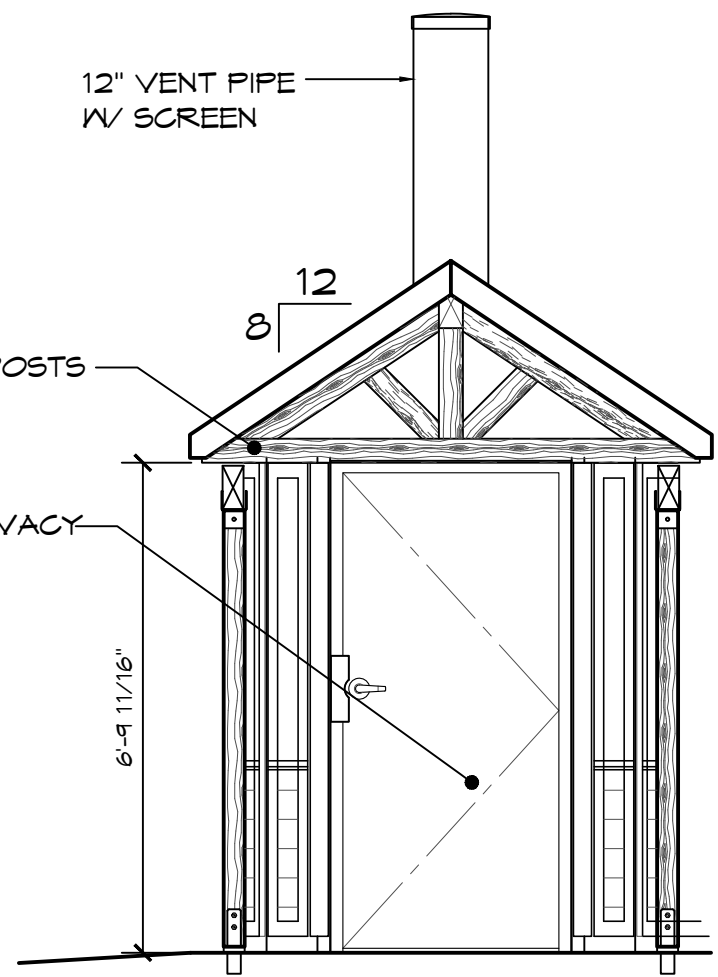
PROJECT: XXXXX		SHEET TITLE: ELEVATIONS	
PLAN SET# XXXXX		ROMTEC	
DATE: XX/XX/XXXX		18240 NORTH BANK ROAD ROSEBURG, OR 97470 (541) 996-3541 FAX (541) 996-8803	
REVISIONS			
REV.	DATE:	BY:	
DRAWN BY: XX			

SHEET NO. **A3.1**

INSTALL INSTRUCTIONS



D ELEVATION VIEW
SCALE: 3/8" = 1'-0"



C ELEVATION VIEW
SCALE: 3/8" = 1'-0"

© 2022 ROMTEC, INC. ALL RIGHTS RESERVED. THESE PLANS AND DRAWINGS MAY NOT BE REPRODUCED, ADAPTED OR FURTHER DISTRIBUTED, AND NO BUILDINGS MAY BE CONSTRUCTED FROM THESE PLANS, WITHOUT THE WRITTEN PERMISSION OF ROMTEC, INC.

PROJECT:	XXXX
PLAN SET#	XXXXX
DATE:	XX/XX/XXXX
REVISIONS	
REV.	DATE:
BY:	
DRAWN BY:	XX

18240 NORTH BANK ROAD
ROSEBURG, OR 97470
(541) 996-3541 FAX (541) 996-8803

SHEET TITLE: ELEVATIONS



SHEET NO.

A3.2