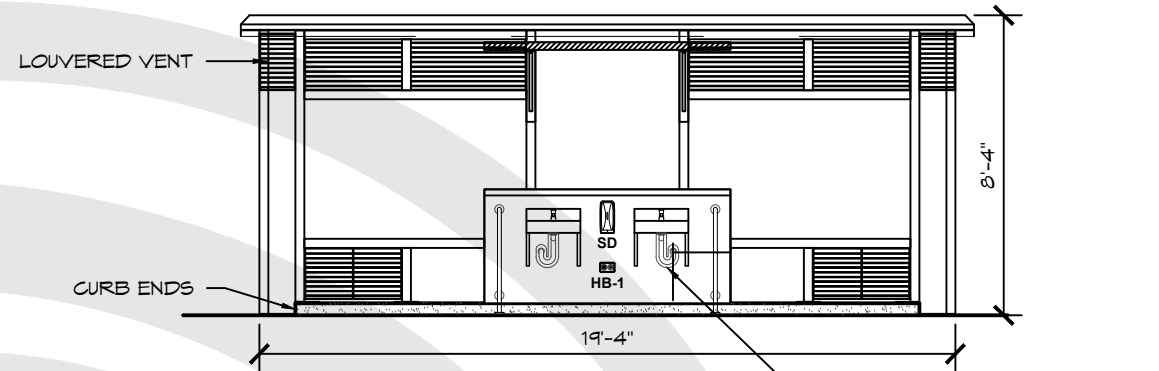
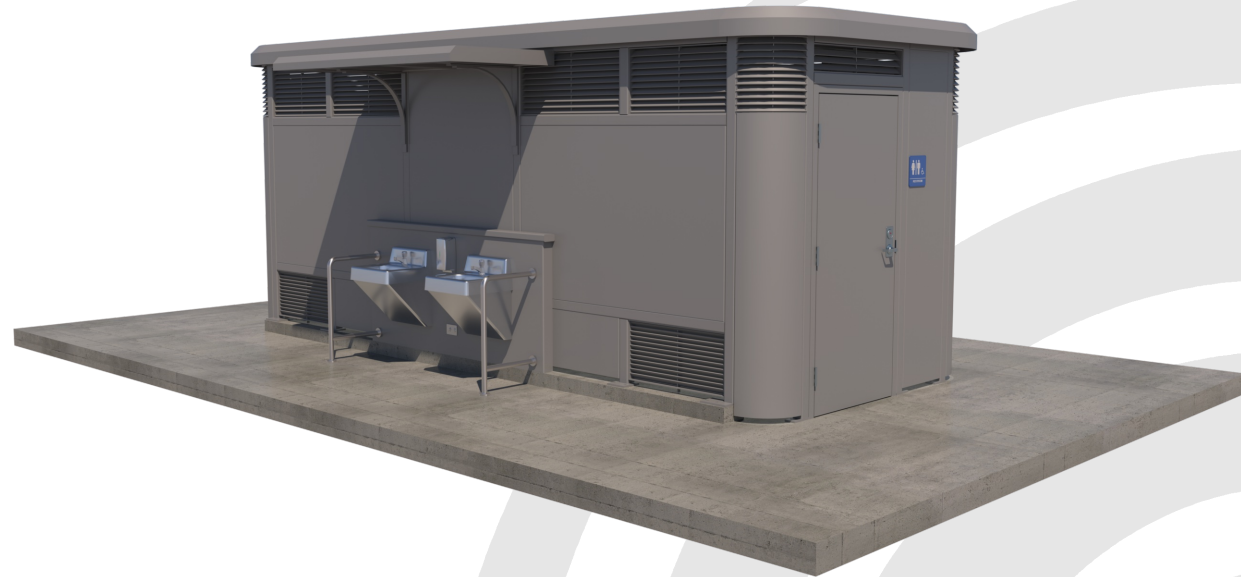
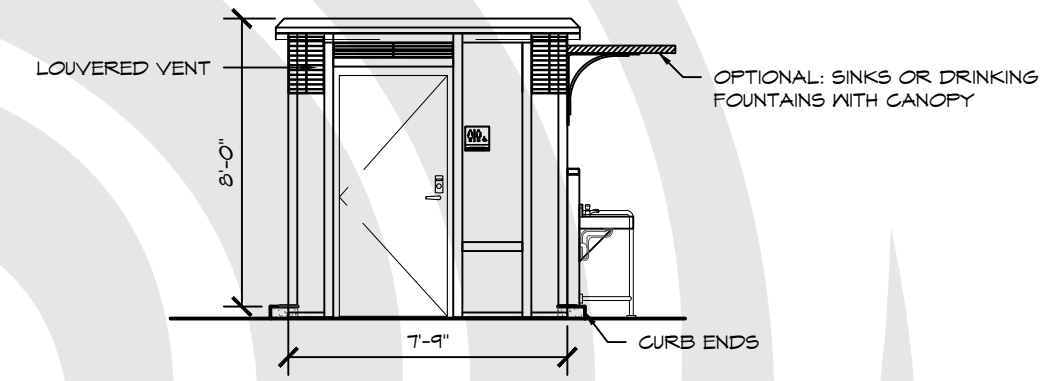


PRELIMINARY

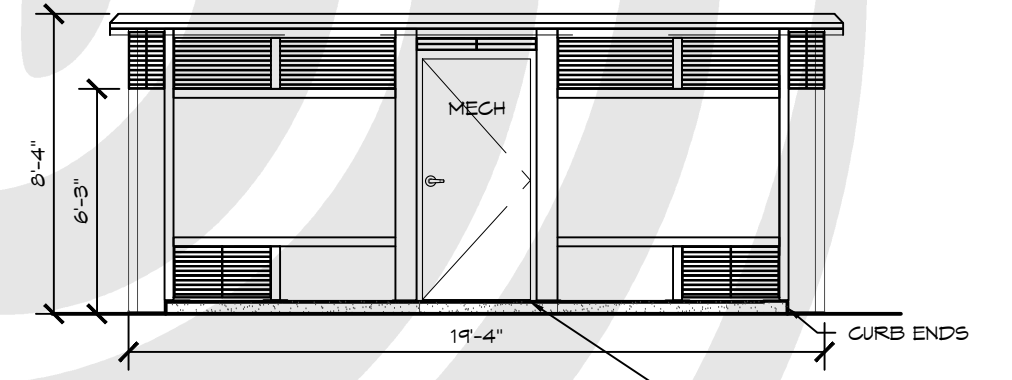
THESE PLAN VIEW AND ELEVATION DRAWINGS ARE A PRELIMINARY ARCHITECTURAL REPRESENTATION OF THE BUILDING. ALL DIMENSIONS, FEATURES AND COMPONENTS SHOWN ON THESE PRELIMINARY DRAWINGS MAY OR MAY NOT BE PART OF THE QUOTE. PLEASE REFER TO THE "SCOPE OF SUPPLY AND SERVICES" LETTER PROVIDED WITH YOUR QUOTE FOR ROMTEC'S PROPOSED SCOPE OF SUPPLY.



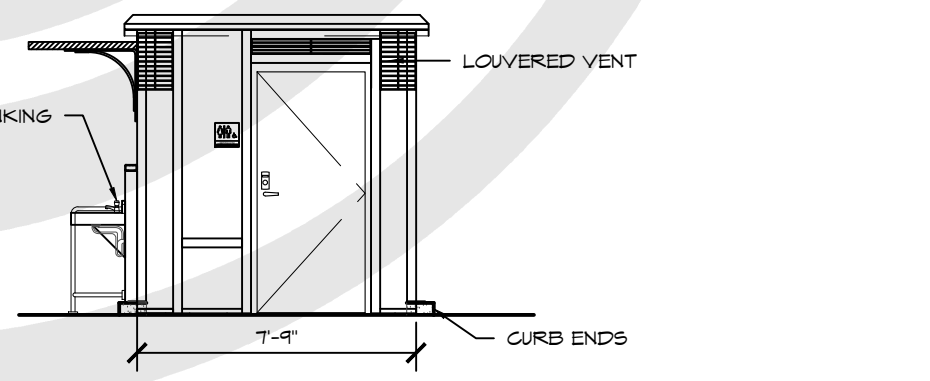
A ELEVATION VIEW
SCALE: 1/4" = 1'-0"



B ELEVATION VIEW
SCALE: 1/4" = 1'-0"



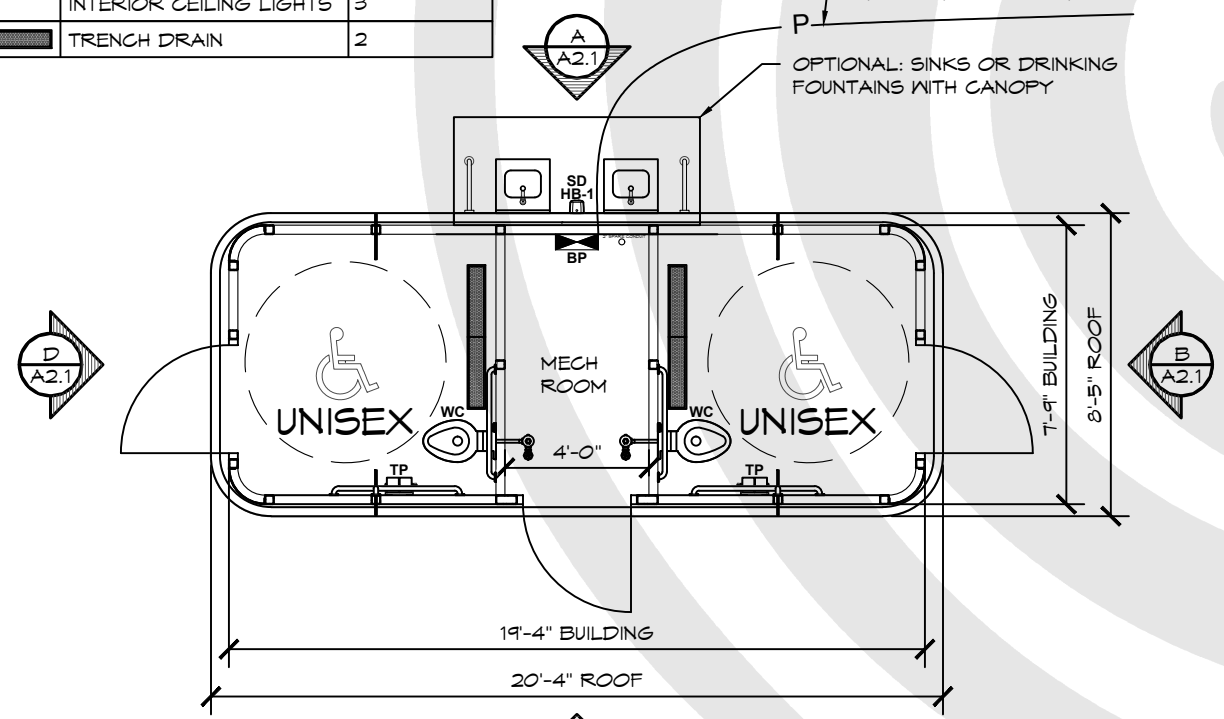
C ELEVATION VIEW
SCALE: 1/4" = 1'-0"



D ELEVATION VIEW
SCALE: 1/4" = 1'-0"

LEGEND		
SYMBOL	DESCRIPTION	AREA/ QUANTITY
	INTERIOR CEILING LIGHTS	3
	TRENCH DRAIN	2

UNDERGROUND ELECTRICAL SERVICE VERIFY REQUIREMENTS FOR TYING INTO SERVICE UTILITY EQUIPMENT BY OTHERS.



1 FLOOR PLAN
SCALE: 1/4" = 1'-0"

PROJECT: _____
LOCATION: _____
SHEET TITLE: FLOOR PLAN

PROJECT #: XXXX

DATE: 00/00/11

DRAWN BY: JS

REV.	DATE	BY

REVISIONS:

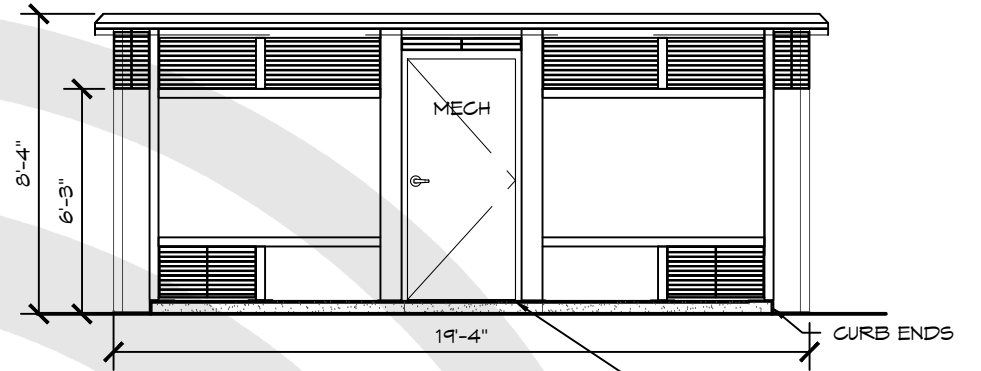
SHEET NO. **A1.1**

© 2024 ROMTEC, INC. ALL RIGHTS RESERVED. THESE PLANS AND DRAWINGS MAY NOT BE REPRODUCED, ADAPTED OR FURTHER DISTRIBUTED, AND NO BUILDINGS MAY BE CONSTRUCTED FROM THESE PLANS, WITHOUT THE WRITTEN PERMISSION OF ROMTEC, INC.

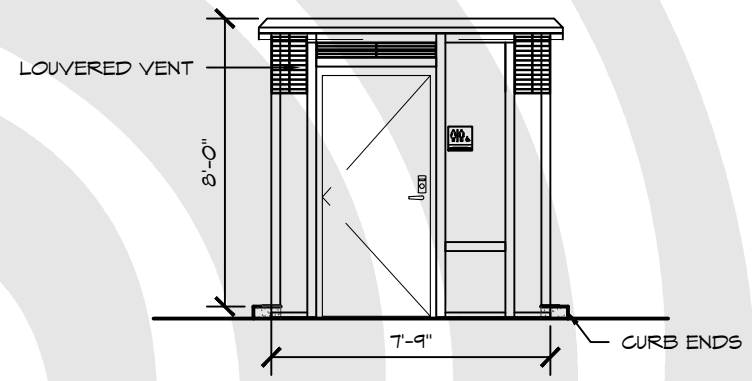
PRELIMINARY

THESE PLAN VIEW AND ELEVATION DRAWINGS ARE A PRELIMINARY ARCHITECTURAL REPRESENTATION OF THE BUILDING. ALL DIMENSIONS, FEATURES AND COMPONENTS SHOWN ON THESE PRELIMINARY DRAWINGS MAY OR MAY NOT BE PART OF THE QUOTE. PLEASE REFER TO THE "SCOPE OF SUPPLY AND SERVICES" LETTER PROVIDED WITH YOUR QUOTE FOR ROMTEC'S PROPOSED SCOPE OF SUPPLY.

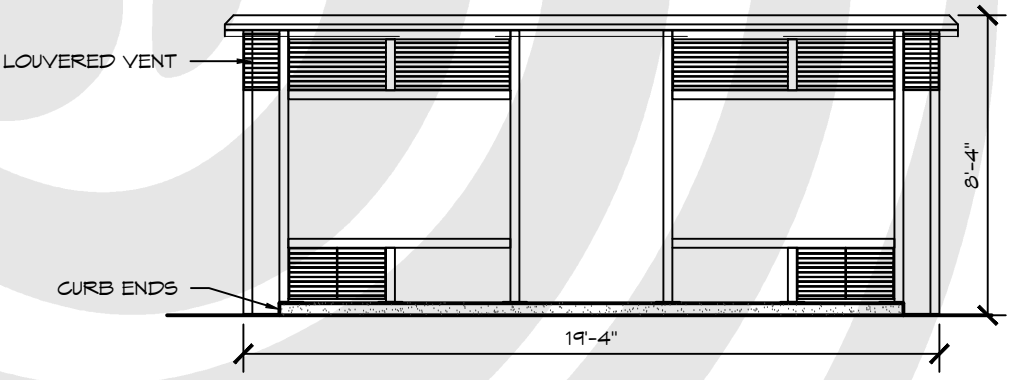
ROMTEC
 www.romtec.com
 (541) 496-3541 FAX (541) 496-0803



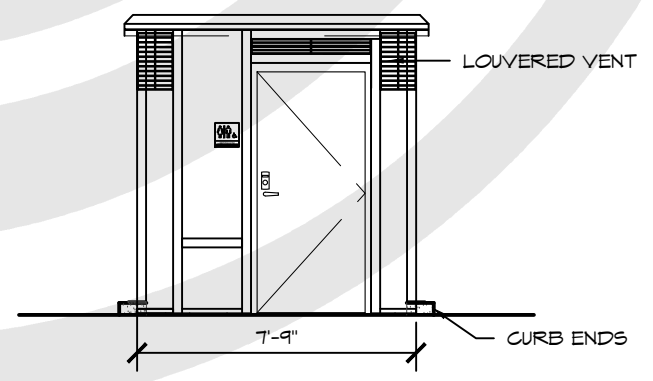
A ELEVATION VIEW
 SCALE: 1/4" = 1'-0"



B ELEVATION VIEW
 SCALE: 1/4" = 1'-0"

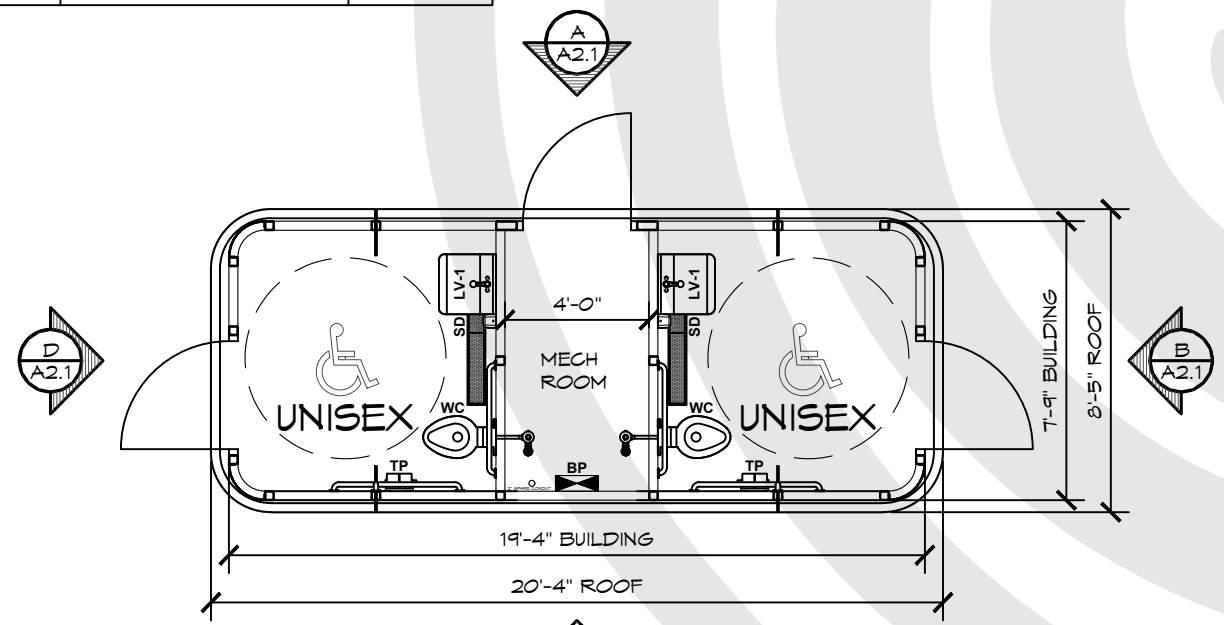


C ELEVATION VIEW
 SCALE: 1/4" = 1'-0"

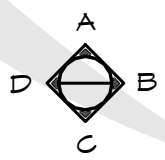


D ELEVATION VIEW
 SCALE: 1/4" = 1'-0"

LEGEND		
SYMBOL	DESCRIPTION	AREA/ QUANTITY
	INTERIOR CEILING LIGHTS	3
	TRENCH DRAIN	2



1 FLOOR PLAN
 SCALE: 1/4" = 1'-0"



PROJECT: _____
 LOCATION: _____
 SHEET TITLE: FLOOR PLAN

PROJECT #: XXXX
 DATE: 00/00/11
 DRAWN BY: JS

REV.	DATE	BY

REVISIONS: _____

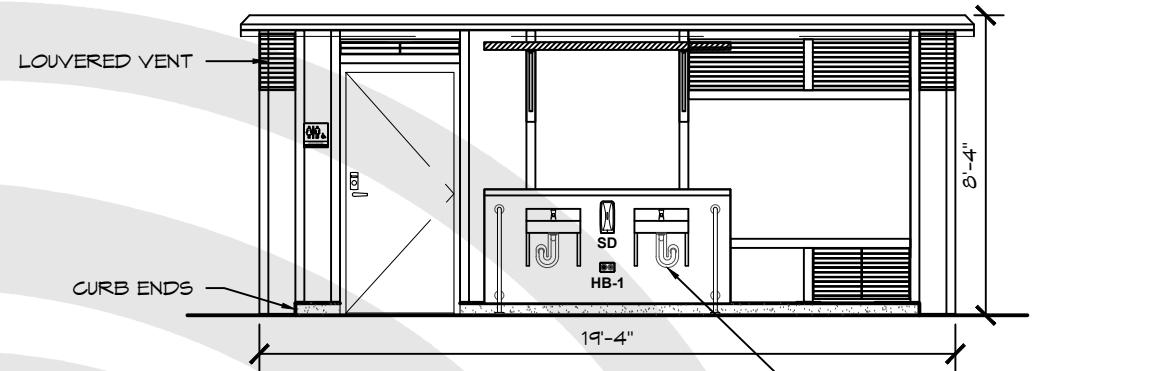
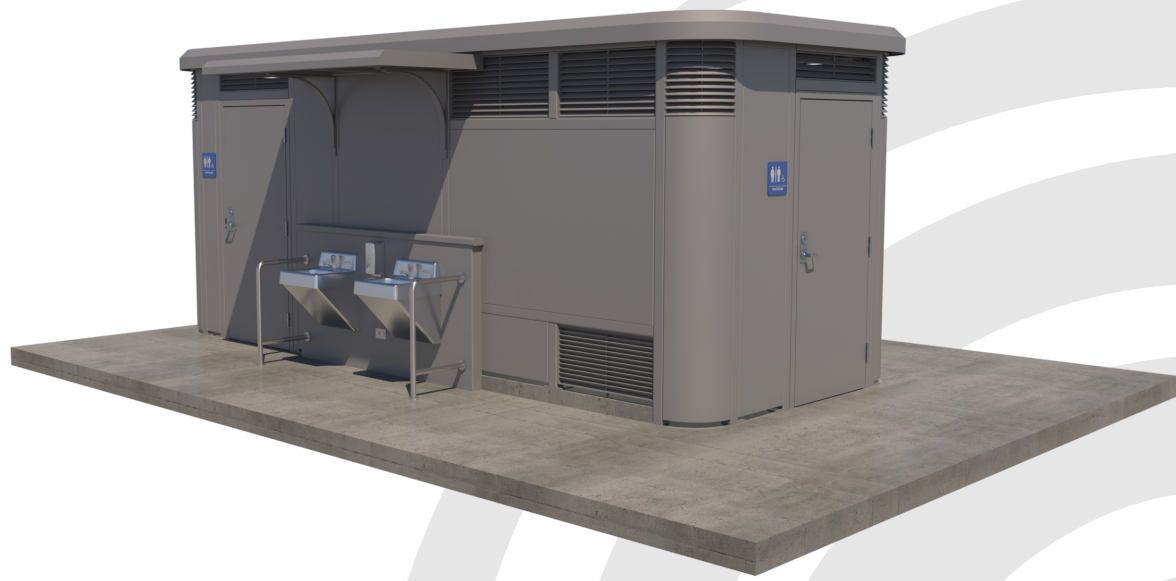
SHEET NO. **A1.1**

© 2024 ROMTEC, INC. ALL RIGHTS RESERVED. THESE PLANS AND DRAWINGS MAY NOT BE REPRODUCED, ADAPTED OR FURTHER DISTRIBUTED, AND NO BUILDINGS MAY BE CONSTRUCTED FROM THESE PLANS, WITHOUT THE WRITTEN PERMISSION OF ROMTEC, INC.

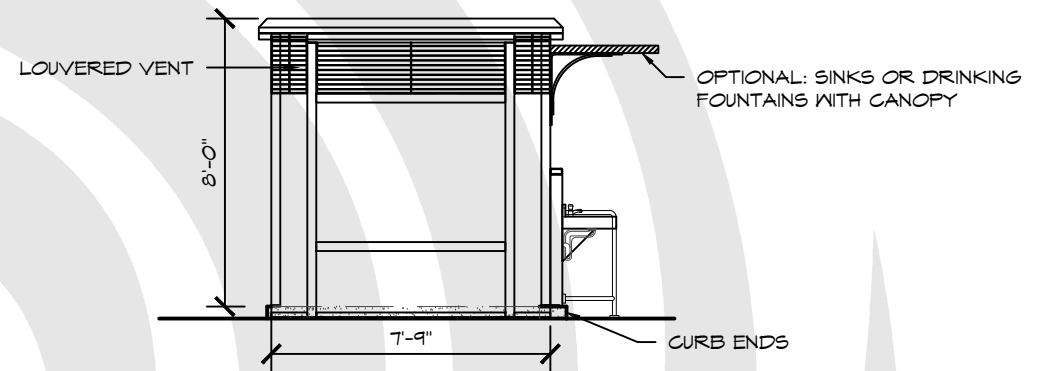
PRELIMINARY

THESE PLAN VIEW AND ELEVATION DRAWINGS ARE A PRELIMINARY ARCHITECTURAL REPRESENTATION OF THE BUILDING. ALL DIMENSIONS, FEATURES AND COMPONENTS SHOWN ON THESE PRELIMINARY DRAWINGS MAY OR MAY NOT BE PART OF THE QUOTE. PLEASE REFER TO THE "SCOPE OF SUPPLY AND SERVICES" LETTER PROVIDED WITH YOUR QUOTE FOR ROMTEC'S PROPOSED SCOPE OF SUPPLY.

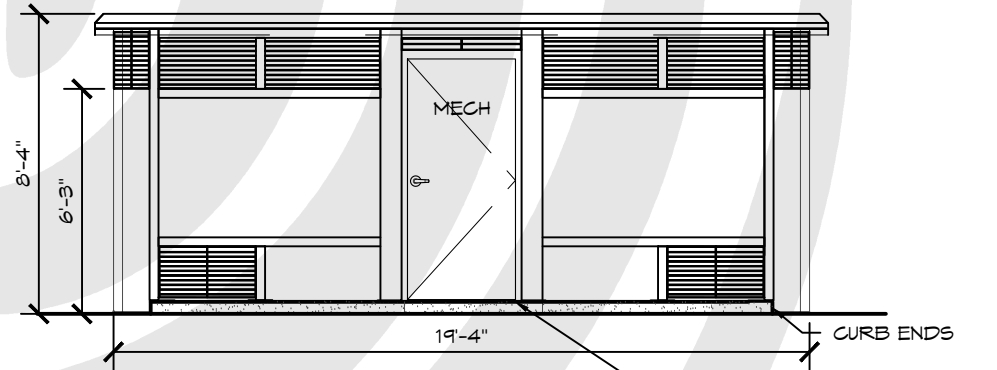
ROMTEC
 www.romtec.com
 (541) 496-3541 FAX (541) 496-0803



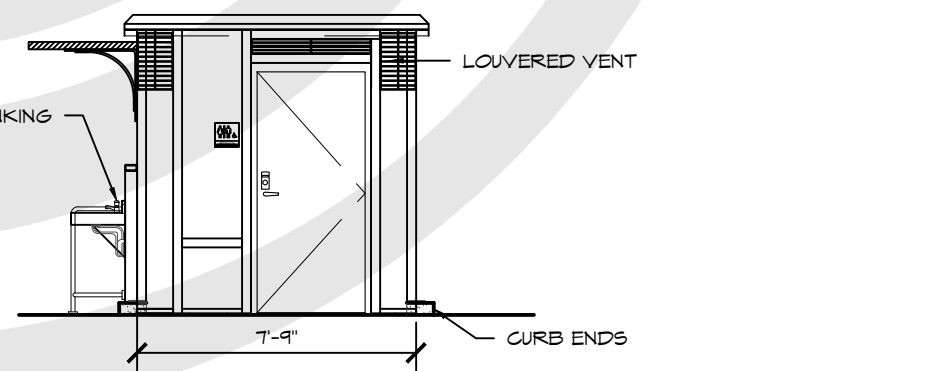
A ELEVATION VIEW
 SCALE: 1/4" = 1'-0"



B ELEVATION VIEW
 SCALE: 1/4" = 1'-0"



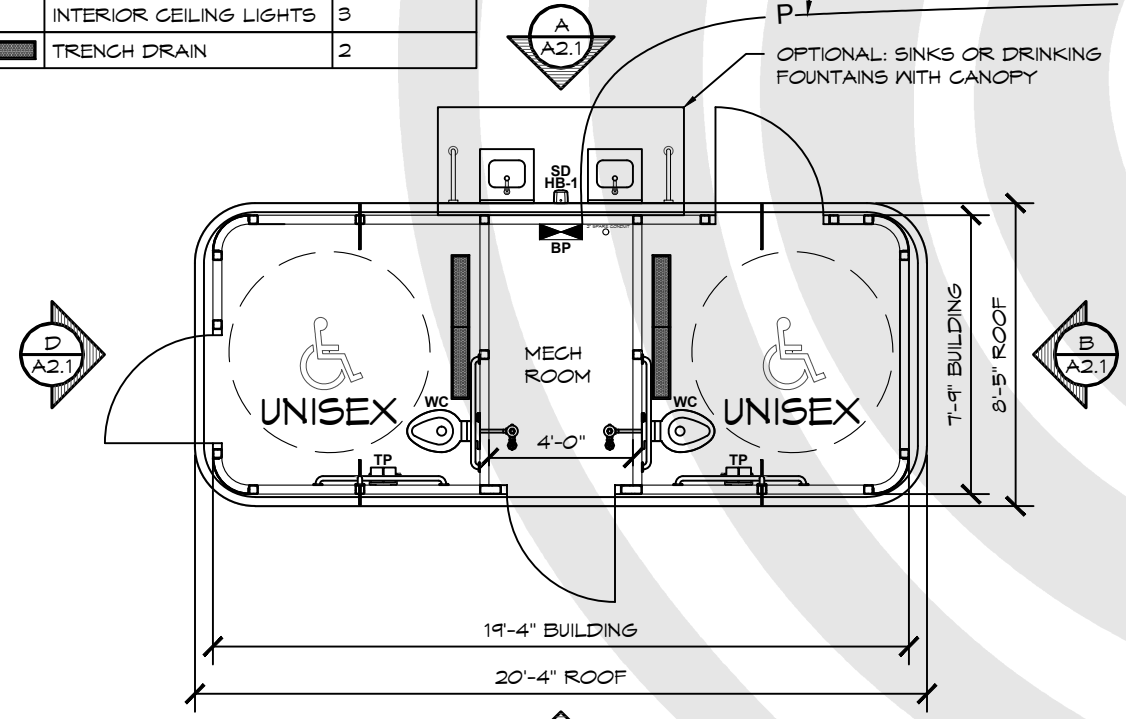
C ELEVATION VIEW
 SCALE: 1/4" = 1'-0"



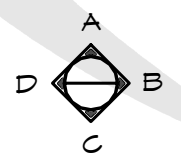
D ELEVATION VIEW
 SCALE: 1/4" = 1'-0"

LEGEND		
SYMBOL	DESCRIPTION	AREA/ QUANTITY
	INTERIOR CEILING LIGHTS	3
	TRENCH DRAIN	2

UNDERGROUND ELECTRICAL SERVICE VERIFY REQUIREMENTS FOR TYING INTO SERVICE UTILITY EQUIPMENT BY OTHERS.



1 FLOOR PLAN
 SCALE: 1/4" = 1'-0"



PROJECT: _____
 LOCATION: _____
 SHEET TITLE: FLOOR PLAN

PROJECT #: XXXX
 DATE: 00/00/11

DRAWN BY: JS

REV.	DATE	BY

REVISIONS:

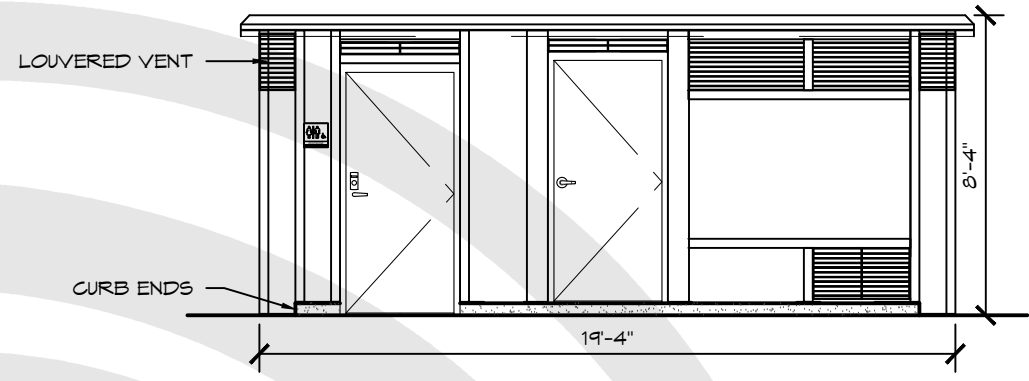
SHEET NO. **A1.1**

© 2024 ROMTEC, INC. ALL RIGHTS RESERVED. THESE PLANS AND DRAWINGS MAY NOT BE REPRODUCED, ADAPTED OR FURTHER DISTRIBUTED, AND NO BUILDINGS MAY BE CONSTRUCTED FROM THESE PLANS, WITHOUT THE WRITTEN PERMISSION OF ROMTEC, INC.

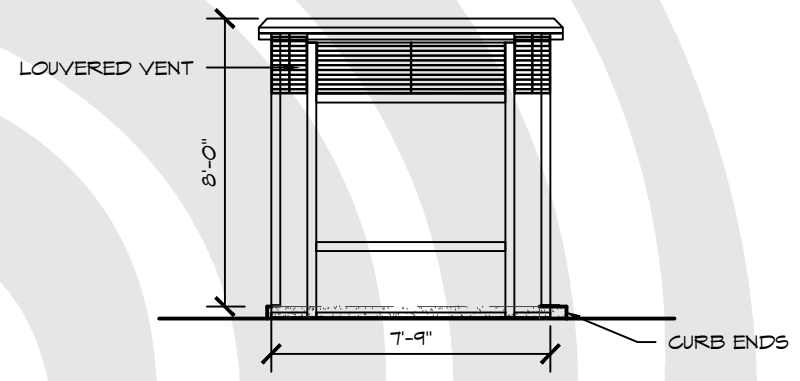
PRELIMINARY

THESE PLAN VIEW AND ELEVATION DRAWINGS ARE A PRELIMINARY ARCHITECTURAL REPRESENTATION OF THE BUILDING. ALL DIMENSIONS, FEATURES AND COMPONENTS SHOWN ON THESE PRELIMINARY DRAWINGS MAY OR MAY NOT BE PART OF THE QUOTE. PLEASE REFER TO THE "SCOPE OF SUPPLY AND SERVICES" LETTER PROVIDED WITH YOUR QUOTE FOR ROMTEC'S PROPOSED SCOPE OF SUPPLY.

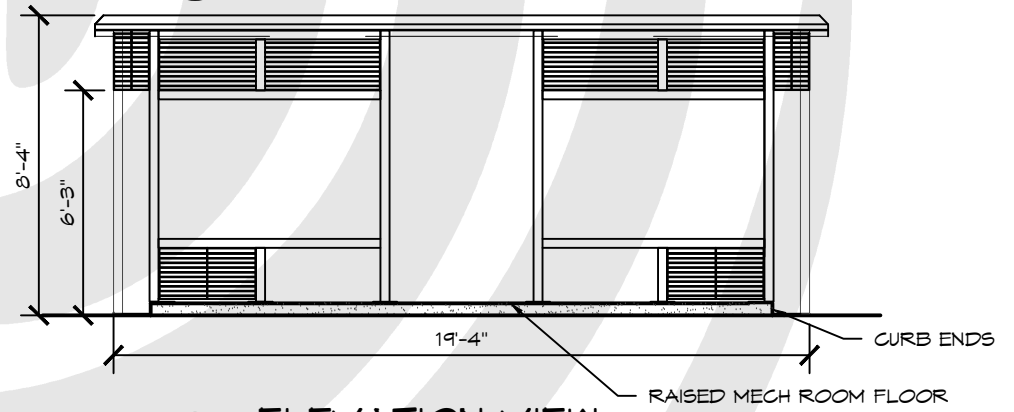
ROMTEC
 www.romtec.com
 (541) 496-3541 FAX (541) 496-0803



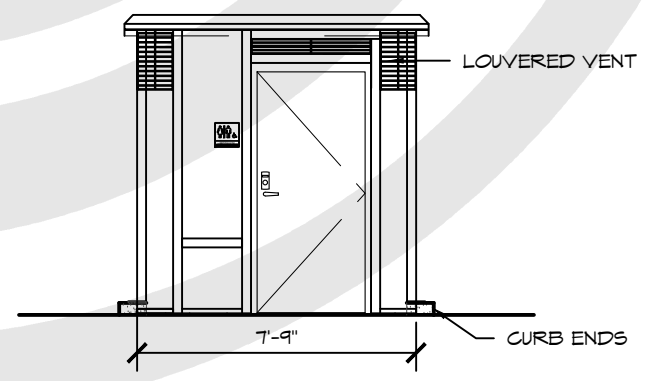
A ELEVATION VIEW
 SCALE: 1/4" = 1'-0"



B ELEVATION VIEW
 SCALE: 1/4" = 1'-0"

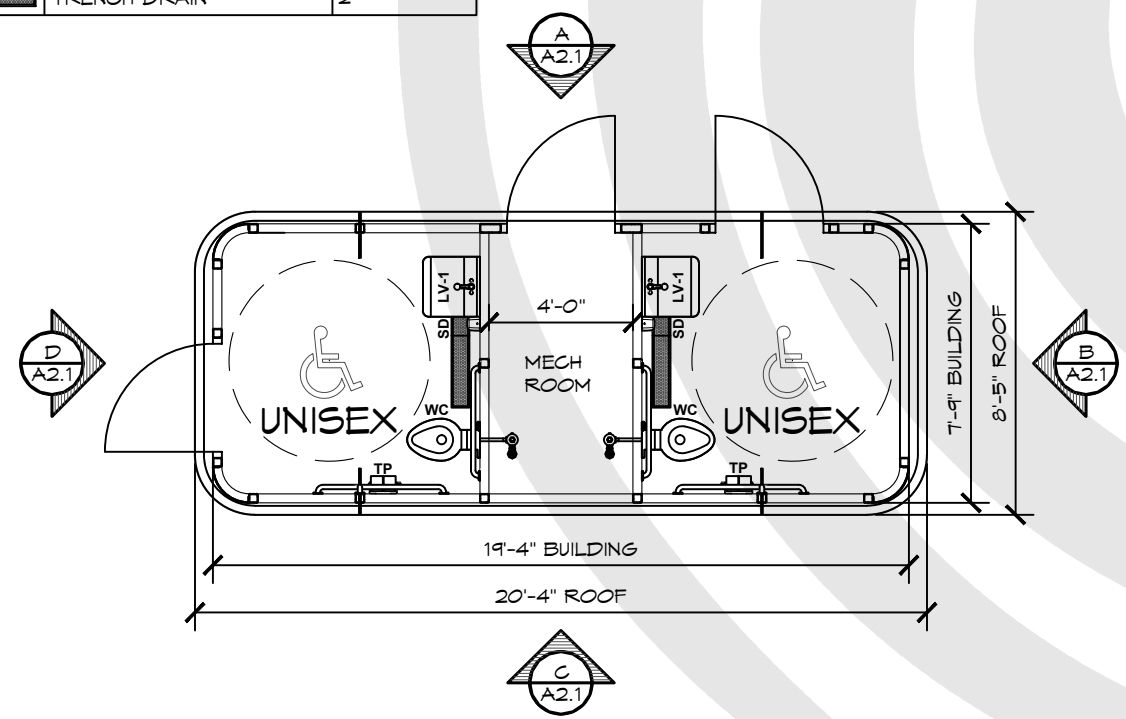


C ELEVATION VIEW
 SCALE: 1/4" = 1'-0"



D ELEVATION VIEW
 SCALE: 1/4" = 1'-0"

LEGEND		
SYMBOL	DESCRIPTION	AREA/ QUANTITY
	INTERIOR CEILING LIGHTS	3
	TRENCH DRAIN	2



1 FLOOR PLAN
 SCALE: 1/4" = 1'-0"

PROJECT: PROJECT LOCATION SHEET TITLE: FLOOR PLAN

PROJECT #: XXXX
 DATE: 00/00/11
 DRAWN BY: JS

REV.	DATE	BY

REVISIONS:

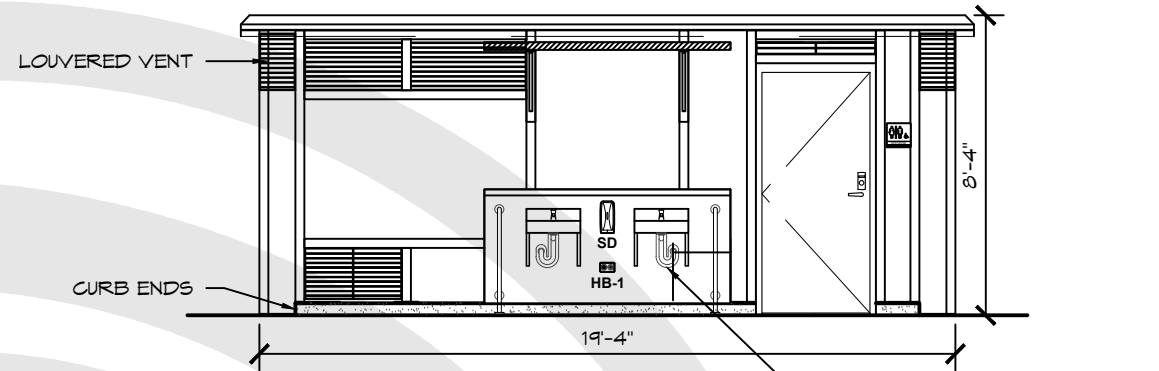
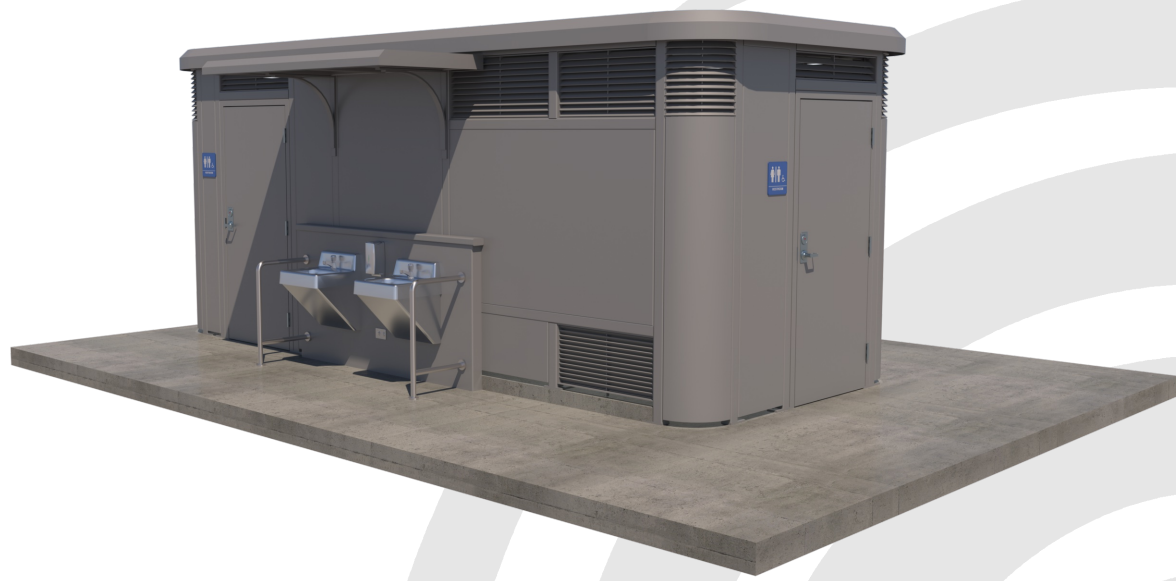
SHEET NO. **A1.1**

© 2024 ROMTEC, INC. ALL RIGHTS RESERVED. THESE PLANS AND DRAWINGS MAY NOT BE REPRODUCED, ADAPTED OR FURTHER DISTRIBUTED, AND NO BUILDINGS MAY BE CONSTRUCTED FROM THESE PLANS, WITHOUT THE WRITTEN PERMISSION OF ROMTEC, INC.

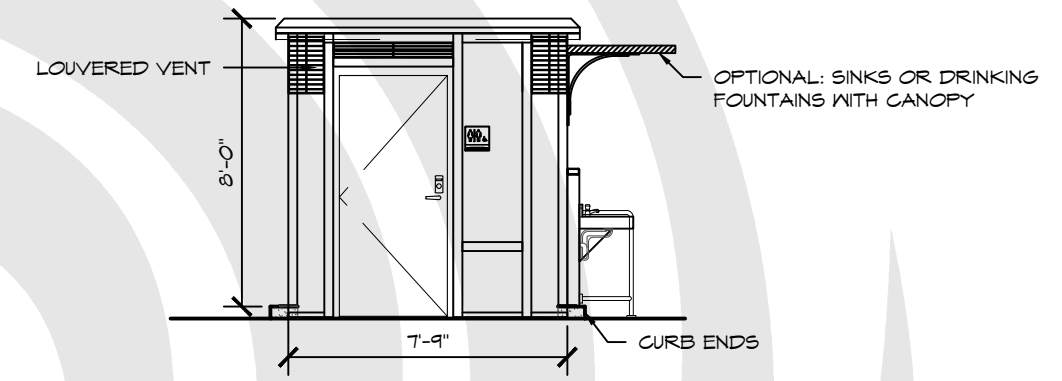
PRELIMINARY

THESE PLAN VIEW AND ELEVATION DRAWINGS ARE A PRELIMINARY ARCHITECTURAL REPRESENTATION OF THE BUILDING. ALL DIMENSIONS, FEATURES AND COMPONENTS SHOWN ON THESE PRELIMINARY DRAWINGS MAY OR MAY NOT BE PART OF THE QUOTE. PLEASE REFER TO THE "SCOPE OF SUPPLY AND SERVICES" LETTER PROVIDED WITH YOUR QUOTE FOR ROMTEC'S PROPOSED SCOPE OF SUPPLY.

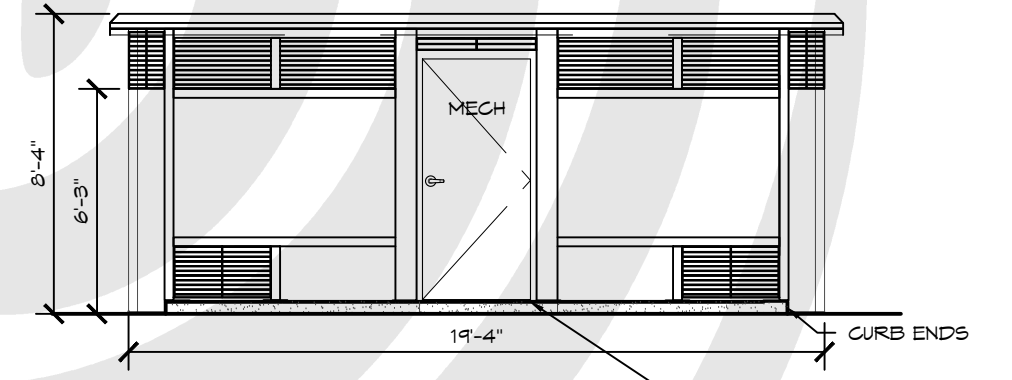
ROMTEC
 www.romtec.com
 (541) 496-3541 FAX (541) 496-0803



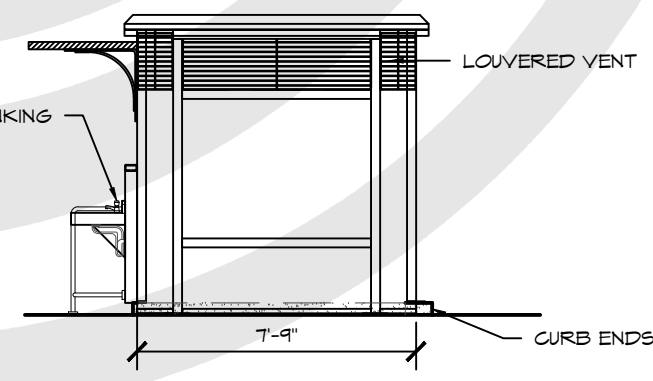
A ELEVATION VIEW
 SCALE: 1/4" = 1'-0"



B ELEVATION VIEW
 SCALE: 1/4" = 1'-0"



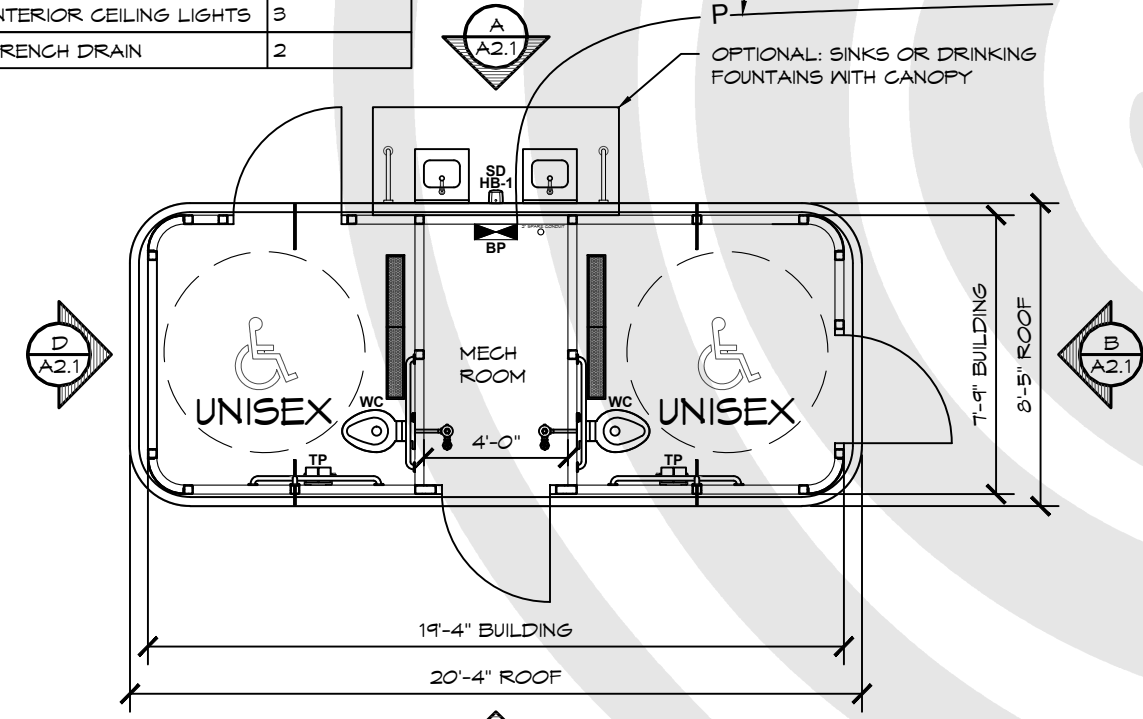
C ELEVATION VIEW
 SCALE: 1/4" = 1'-0"



D ELEVATION VIEW
 SCALE: 1/4" = 1'-0"

LEGEND		
SYMBOL	DESCRIPTION	AREA/ QUANTITY
	INTERIOR CEILING LIGHTS	3
	TRENCH DRAIN	2

UNDERGROUND ELECTRICAL SERVICE VERIFY REQUIREMENTS FOR TYING INTO SERVICE UTILITY EQUIPMENT BY OTHERS.



1 FLOOR PLAN
 SCALE: 1/4" = 1'-0"

PROJECT: _____
 LOCATION: _____
 SHEET TITLE: FLOOR PLAN

PROJECT #: XXXX
 DATE: 00/00/11
 DRAWN BY: JS

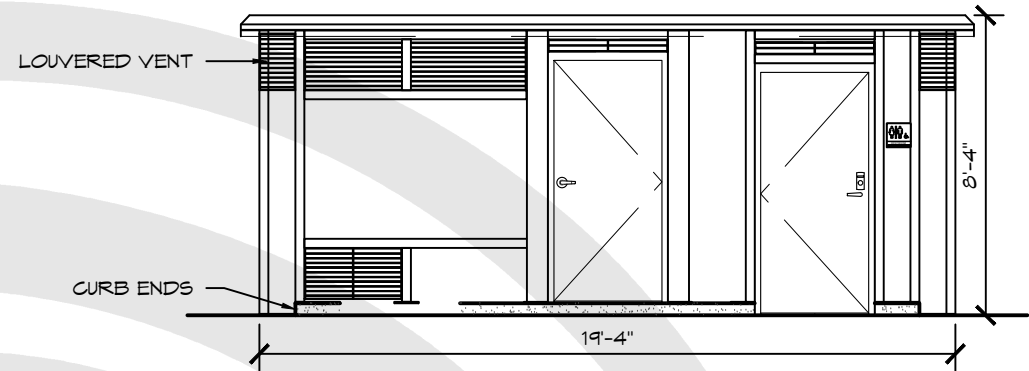
REVISIONS: _____
 SHEET NO. **A1.1**

© 2024 ROMTEC, INC. ALL RIGHTS RESERVED. THESE PLANS AND DRAWINGS MAY NOT BE REPRODUCED, ADAPTED OR FURTHER DISTRIBUTED, AND NO BUILDINGS MAY BE CONSTRUCTED FROM THESE PLANS, WITHOUT THE WRITTEN PERMISSION OF ROMTEC, INC.

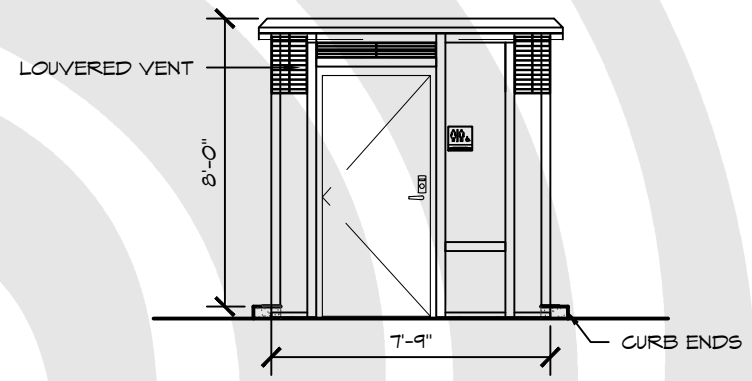
PRELIMINARY

THESE PLAN VIEW AND ELEVATION DRAWINGS ARE A PRELIMINARY ARCHITECTURAL REPRESENTATION OF THE BUILDING. ALL DIMENSIONS, FEATURES AND COMPONENTS SHOWN ON THESE PRELIMINARY DRAWINGS MAY OR MAY NOT BE PART OF THE QUOTE. PLEASE REFER TO THE "SCOPE OF SUPPLY AND SERVICES" LETTER PROVIDED WITH YOUR QUOTE FOR ROMTEC'S PROPOSED SCOPE OF SUPPLY.

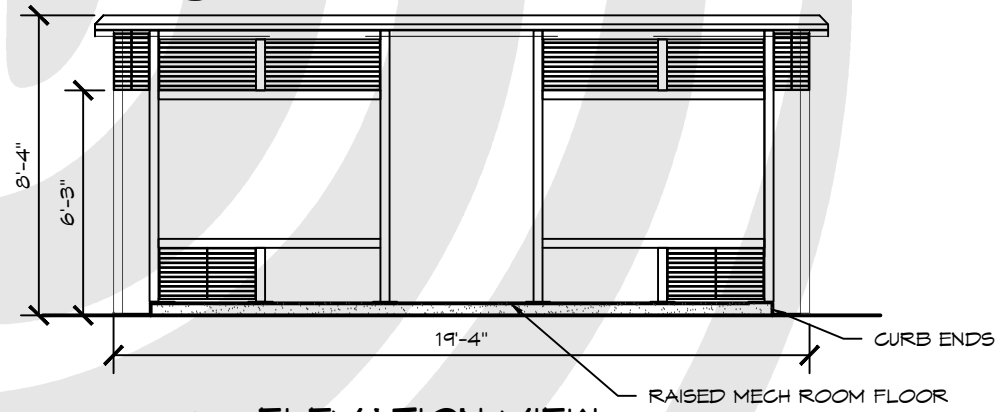
ROMTEC
 www.romtec.com
 (541) 496-3541 FAX (541) 496-0803



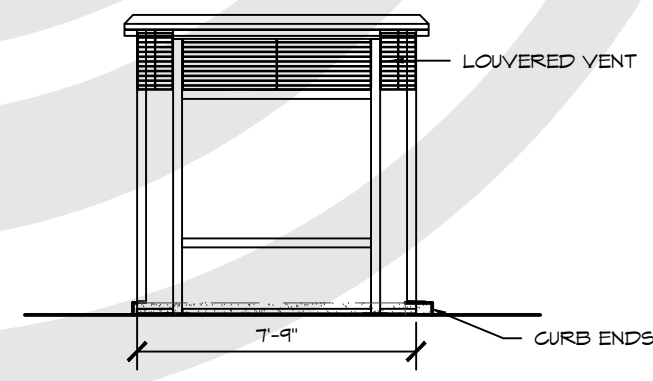
A ELEVATION VIEW
 SCALE: 1/4" = 1'-0"



B ELEVATION VIEW
 SCALE: 1/4" = 1'-0"

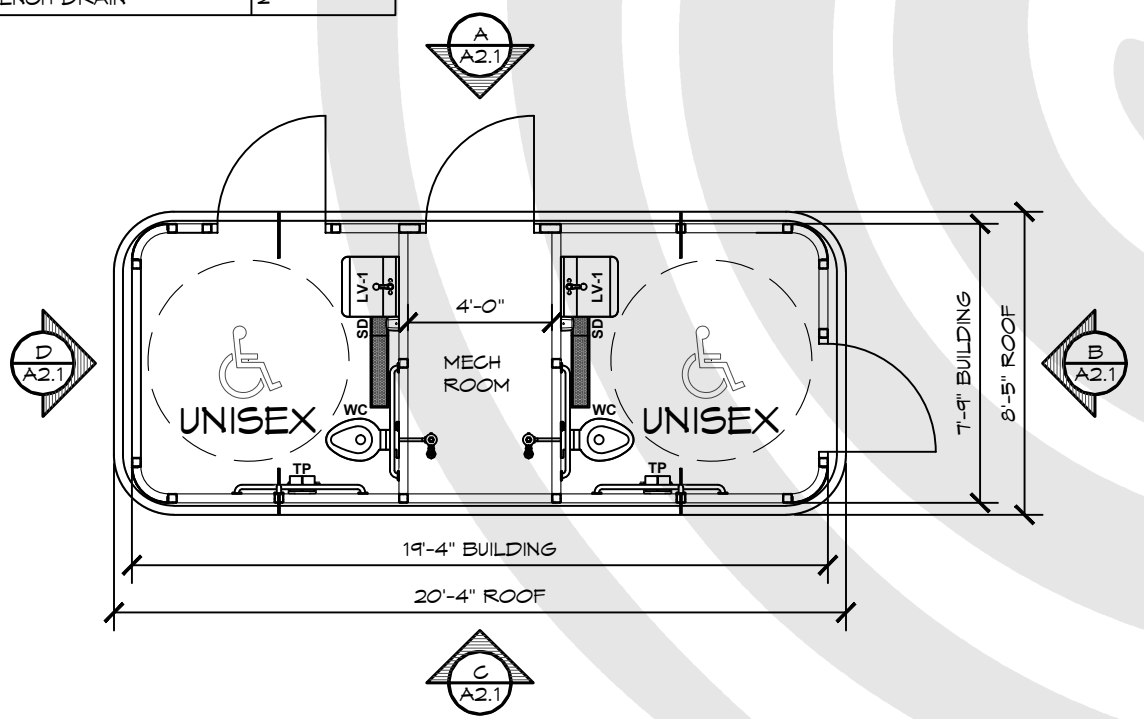


C ELEVATION VIEW
 SCALE: 1/4" = 1'-0"

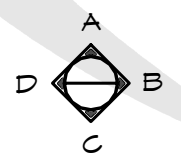


D ELEVATION VIEW
 SCALE: 1/4" = 1'-0"

LEGEND		
SYMBOL	DESCRIPTION	AREA/ QUANTITY
	INTERIOR CEILING LIGHTS	3
	TRENCH DRAIN	2



1 FLOOR PLAN
 SCALE: 1/4" = 1'-0"



PROJECT: PROJECT LOCATION FLOOR PLAN
 SHEET TITLE: FLOOR PLAN

PROJECT #: XXXX
 DATE: 00/00/11
 DRAWN BY: JS

REV.	DATE	BY

REVISIONS:

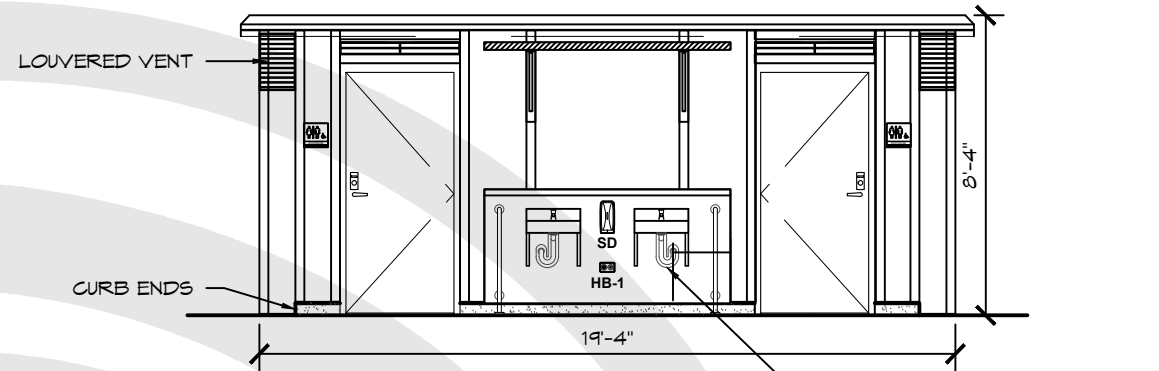
SHEET NO. **A1.1**

© 2024 ROMTEC, INC. ALL RIGHTS RESERVED. THESE PLANS AND DRAWINGS MAY NOT BE REPRODUCED, ADAPTED OR FURTHER DISTRIBUTED, AND NO BUILDINGS MAY BE CONSTRUCTED FROM THESE PLANS, WITHOUT THE WRITTEN PERMISSION OF ROMTEC, INC.

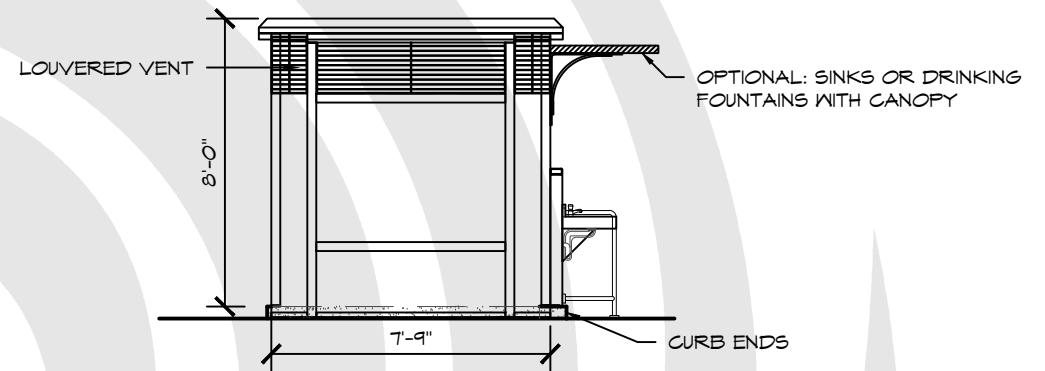
PRELIMINARY

THESE PLAN VIEW AND ELEVATION DRAWINGS ARE A PRELIMINARY ARCHITECTURAL REPRESENTATION OF THE BUILDING. ALL DIMENSIONS, FEATURES AND COMPONENTS SHOWN ON THESE PRELIMINARY DRAWINGS MAY OR MAY NOT BE PART OF THE QUOTE. PLEASE REFER TO THE "SCOPE OF SUPPLY AND SERVICES" LETTER PROVIDED WITH YOUR QUOTE FOR ROMTEC'S PROPOSED SCOPE OF SUPPLY.

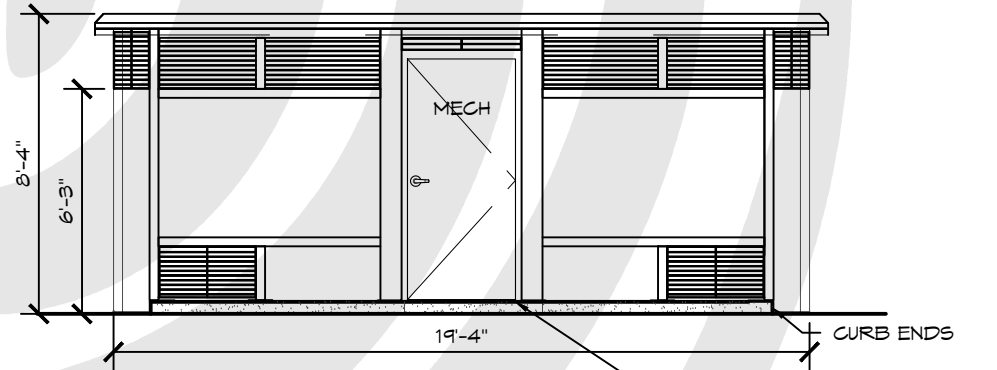
ROMTEC
 www.romtec.com
 (541) 496-3541 FAX (541) 496-0803



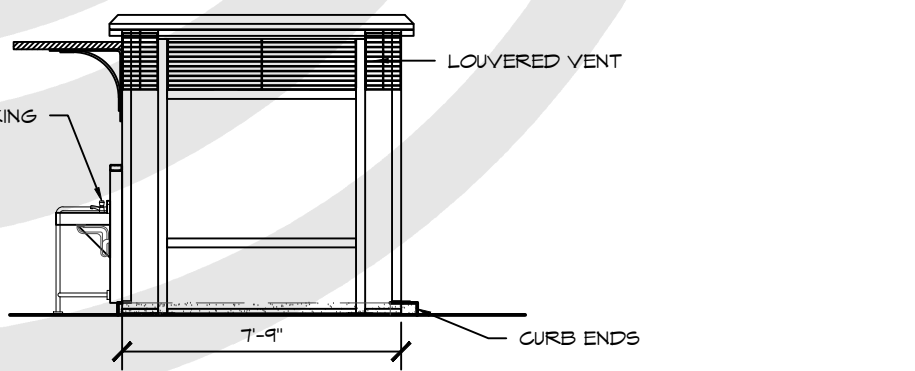
A ELEVATION VIEW
 SCALE: 1/4" = 1'-0"



B ELEVATION VIEW
 SCALE: 1/4" = 1'-0"



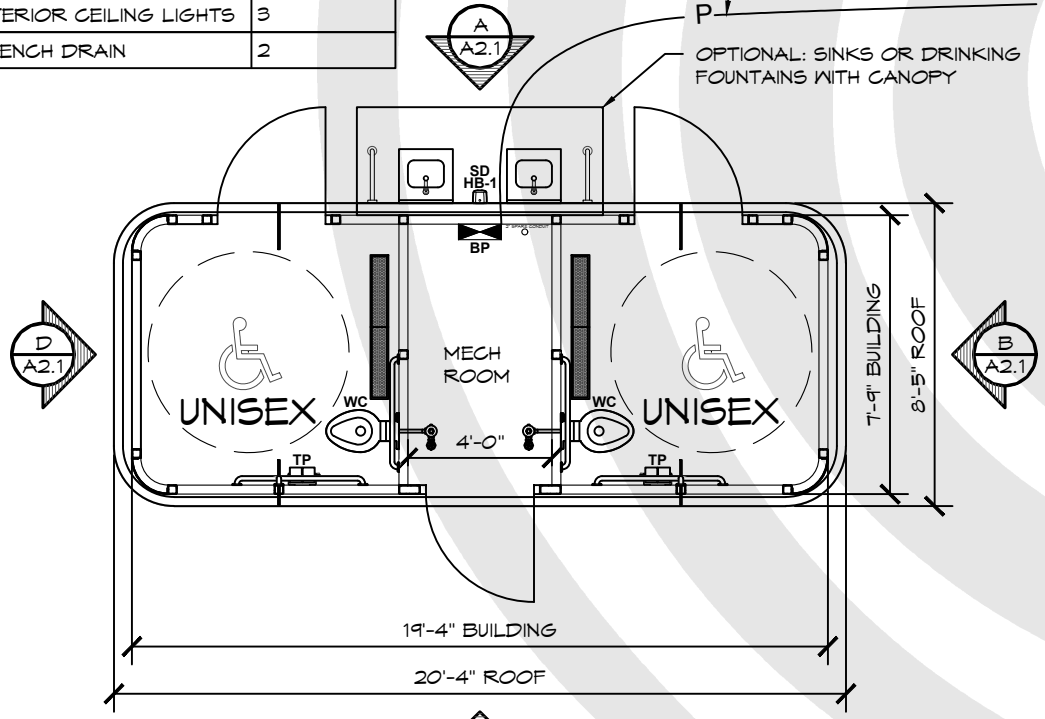
C ELEVATION VIEW
 SCALE: 1/4" = 1'-0"



D ELEVATION VIEW
 SCALE: 1/4" = 1'-0"

LEGEND		
SYMBOL	DESCRIPTION	AREA/ QUANTITY
	INTERIOR CEILING LIGHTS	3
	TRENCH DRAIN	2

UNDERGROUND ELECTRICAL SERVICE VERIFY REQUIREMENTS FOR TYING INTO SERVICE UTILITY EQUIPMENT BY OTHERS.



1 FLOOR PLAN
 SCALE: 1/4" = 1'-0"

PROJECT: _____
 LOCATION: _____
 SHEET TITLE: FLOOR PLAN

PROJECT #: XXXX
 DATE: 00/00/11
 DRAWN BY: JS

REV.	DATE	BY

REVISIONS: _____

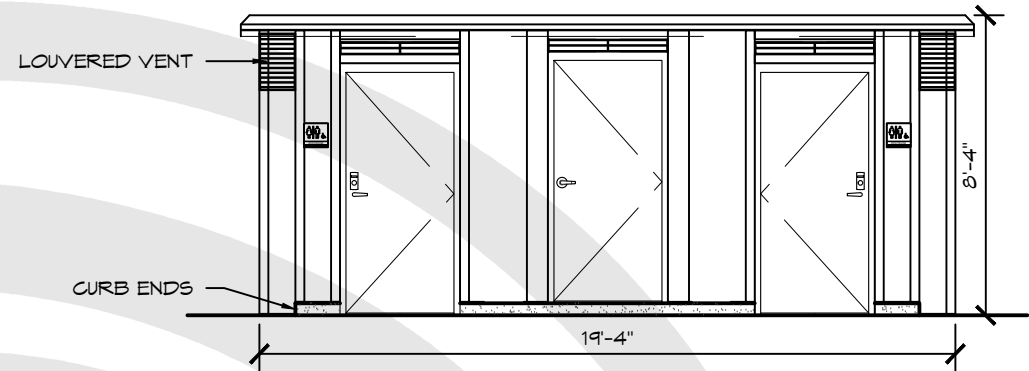
SHEET NO. **A1.1**

© 2024 ROMTEC, INC. ALL RIGHTS RESERVED. THESE PLANS AND DRAWINGS MAY NOT BE REPRODUCED, ADAPTED OR FURTHER DISTRIBUTED, AND NO BUILDINGS MAY BE CONSTRUCTED FROM THESE PLANS, WITHOUT THE WRITTEN PERMISSION OF ROMTEC, INC.

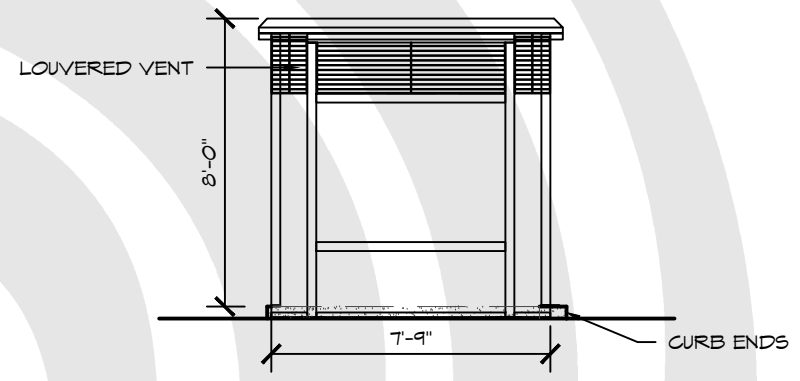
PRELIMINARY

THESE PLAN VIEW AND ELEVATION DRAWINGS ARE A PRELIMINARY ARCHITECTURAL REPRESENTATION OF THE BUILDING. ALL DIMENSIONS, FEATURES AND COMPONENTS SHOWN ON THESE PRELIMINARY DRAWINGS MAY OR MAY NOT BE PART OF THE QUOTE. PLEASE REFER TO THE "SCOPE OF SUPPLY AND SERVICES" LETTER PROVIDED WITH YOUR QUOTE FOR ROMTEC'S PROPOSED SCOPE OF SUPPLY.

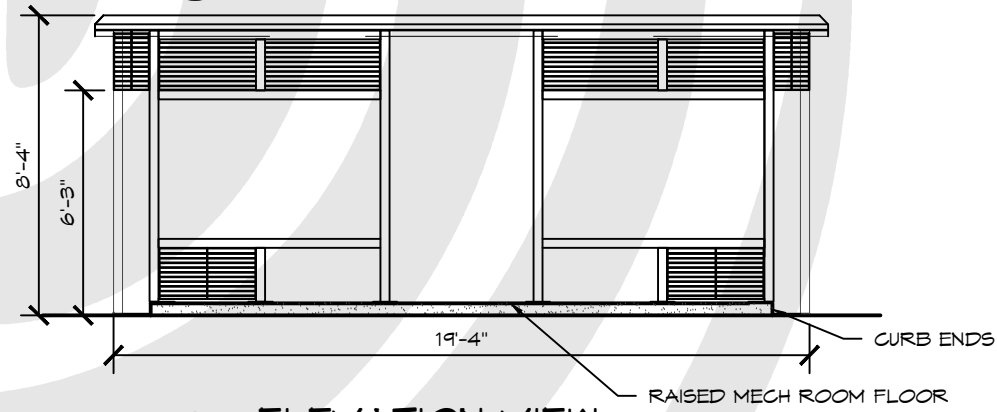
ROMTEC
 www.romtec.com
 (541) 496-3541 FAX (541) 496-0803



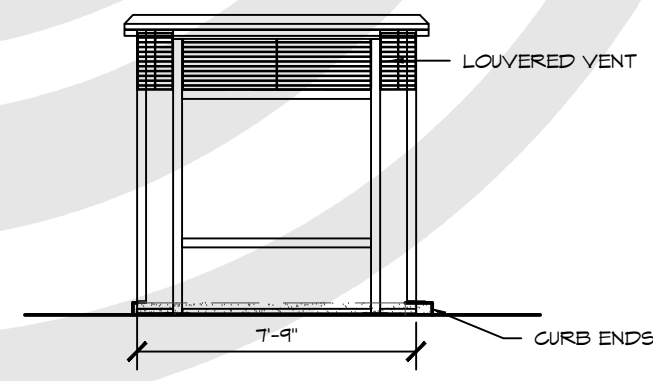
A ELEVATION VIEW
 SCALE: 1/4" = 1'-0"



B ELEVATION VIEW
 SCALE: 1/4" = 1'-0"

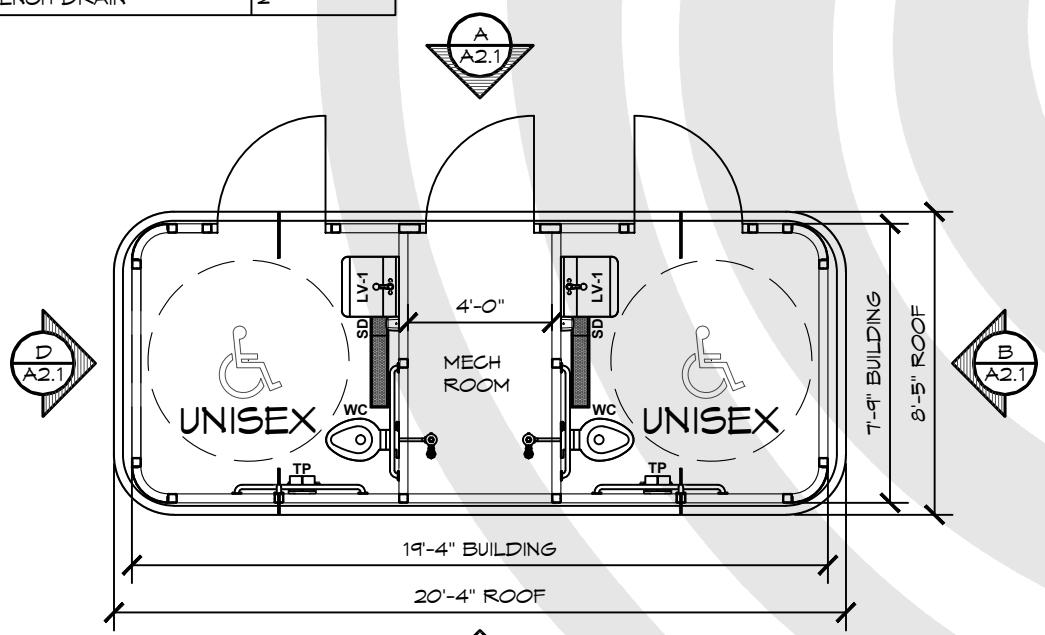


C ELEVATION VIEW
 SCALE: 1/4" = 1'-0"

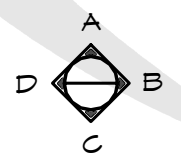


D ELEVATION VIEW
 SCALE: 1/4" = 1'-0"

LEGEND		
SYMBOL	DESCRIPTION	AREA/ QUANTITY
	INTERIOR CEILING LIGHTS	3
	TRENCH DRAIN	2



1 FLOOR PLAN
 SCALE: 1/4" = 1'-0"



PROJECT: PROJECT LOCATION
 SHEET TITLE: FLOOR PLAN

PROJECT #: XXXX
 DATE: 00/00/11
 DRAWN BY: JS

REV.	DATE	BY

REVISIONS:

SHEET NO. **A1.1**

© 2024 ROMTEC, INC. ALL RIGHTS RESERVED. THESE PLANS AND DRAWINGS MAY NOT BE REPRODUCED, ADAPTED OR FURTHER DISTRIBUTED, AND NO BUILDINGS MAY BE CONSTRUCTED FROM THESE PLANS, WITHOUT THE WRITTEN PERMISSION OF ROMTEC, INC.